

F

E

D

C

B

A

RoHS Compliant

SYMBOL

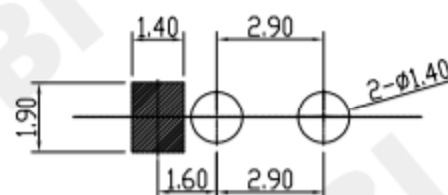
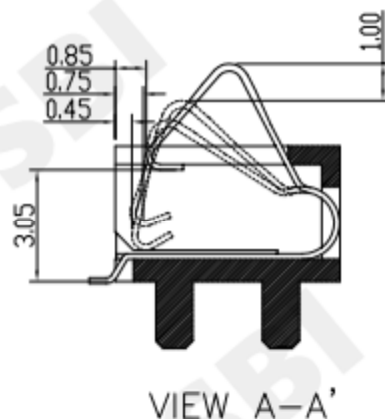
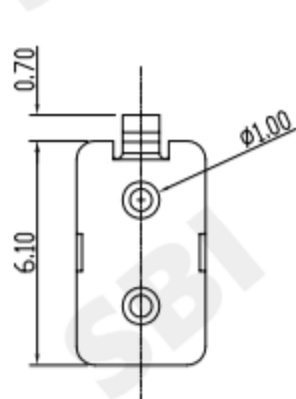
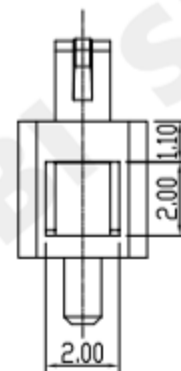
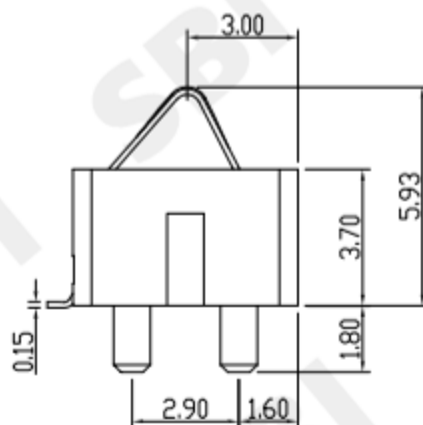
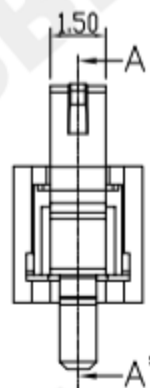
REVISION

APPROVAL

DATE

## SPECIFICATIONS

- ELECTRICAL CHARACTERISTICS:
  - 1-1.RATING: DC 20V 3A MAX
  - 1-2.CONTACT RESISTANCE: 20mΩ MAX(INITAL)
  - 1-3.DIELECTRIC WITHSTANDING VOLTAGE: 500V AC FOR ONE MINUTE
  - 1-4.INSULATION RESISTANCE: 100MΩ MIN,MEASURED BY 500V DC
- LIFE TEST:MECHANICAL LIFE TEST 10,000 CYCLES.
- TEMPERATURE RISE : 30°C MAX



RECOMMENDED P.C.B LAYOUT  
TOP VIEW (TOLRANCE:±0.05)



SCHEMATIC

No.	DESCRIPTION	MATERIAL	QTY	PLATING
1	CONTACT TERMINAL	BeCu	1	Au PLATED
2	HOUSING	LCP	1	BLACK

SMART BILLION INDUSTRIAL LIMITED

PART NAME	CONNECTOR	DRAWING	Z.L.Liang	DWG.No.	CL0050
PART NO.	CL-052S	CHECK	G.C.Chen	REV.	A1
UNIT : mm	TOLERANCE UNLESS OTHERWISE SPECIFIED X.X ± 0.3 X.XX ± 0.2 X.XXX ± 0.1	ANGLE	G.C.Chen	DATE	2022-Jul-01
		0°±3'	APPROVAL	SCALE	1:1

COPYRIGHT RESERVED,PLEASE DO NOT COPY.

F

E

D

C

B

A