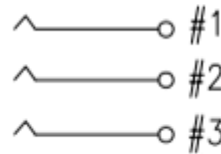


RoHS Compliant

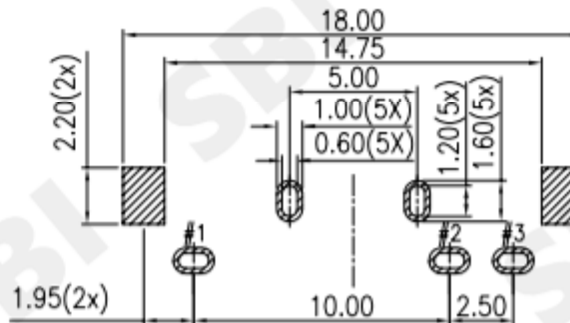
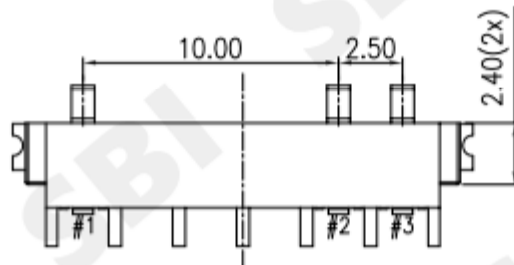
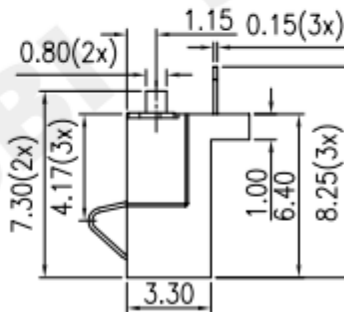
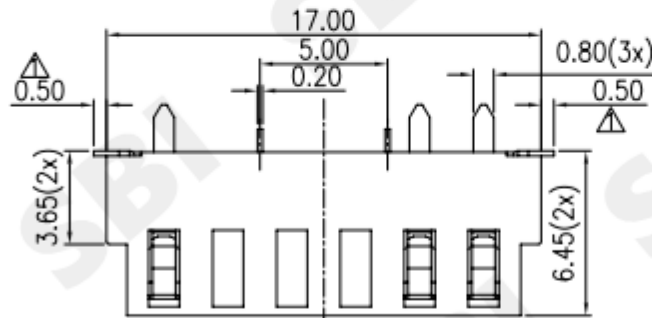
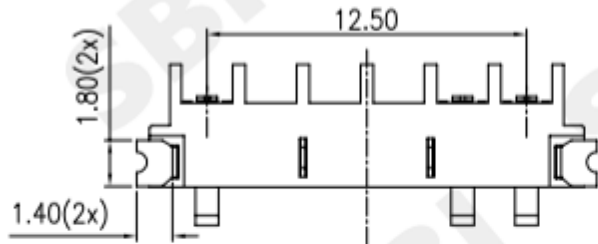
SYMBOL	REVISION	APPROVAL	DATE
△	0.30 → 0.50	G.C.Chen	2022-Feb-24

SPECIFICATIONS

- ELECTRICAL CHARACTERISTICS:
 - 1-1.RATING: DC 12V 2A
 - 1-2.CONTACT RESISTANCE: 20mΩ MAX(INITAL)
 - 1-3.DIELECTRIC WITHSTANDING VOLTAGE: 500V AC FOR ONE MINUTE
 - 1-4.INSULATION RESISTANCE: 100MΩ MIN,MEASURED BY 500V DC
- FORCE:0.5-1.0mm CONTACT TRAVEL:400±200gf.
- LIFE TEST:MECHANICAL LIFE TEST 10,000 CYCLES.
- PACKING:TRAY or TAPE & REEL
(200PCS/TRAY)or(140PCS/REEL)



SCHEMATIC



**RECOMMENDED P.C.B LAYOUT
TOP VIEW (TOLRANCE:±0.05)**

No.	DESCRIPTION	MATERIAL	PLATING
1	TERMINAL	C5210	Au PLATED
2	HOUSING	LCP	BLACK
3	PEG	C2680	Sn PLATED
4	BENT TERMINAL	C2680	Sn PLATED

SMART BILLION INDUSTRIAL LIMITED

COPYRIGHT RESERVED,PLEASE DO NOT COPY.

PART NAME		CONNECTOR		DRAWING	Z.L.Liang	DWG.No.	
PART NO.		CL-046-L2R1-3P-TR		CHECK	G.C.Chen	REV.	A1
UNIT : mm	TOLERANCE UNLESS OTHERWISE SPECIFIED	X.X ± 0.3	ANGLE	APPROVAL	G.C.Chen	DATE	2022-Feb-24
		X.XX ± 0.2		SCALE	1:1	PAGE	1 OF 1
		X.XXX ± 0.1	0°±3'				