

F

E

D

C

B

A

RoHS Compliant
Halogen Free

SYMBOL

REVISION

APPROVAL

DATE

SPECIFICATIONS

1. ELECTRICAL CHARACTERISTICS:

1-1.RATING: DC 12V 2A

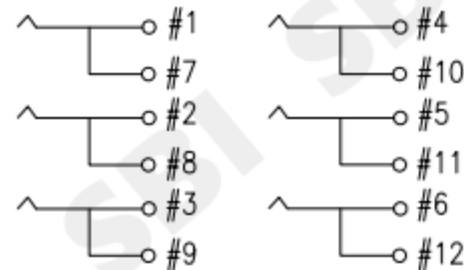
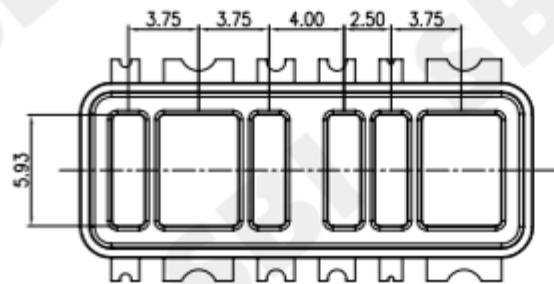
1-2.CONTACT RESISTANCE: 20mΩ MAX(INITAL)

1-3.DIELECTRIC WITHSTANDING VOLTAGE: 500V AC FOR ONE MINUTE

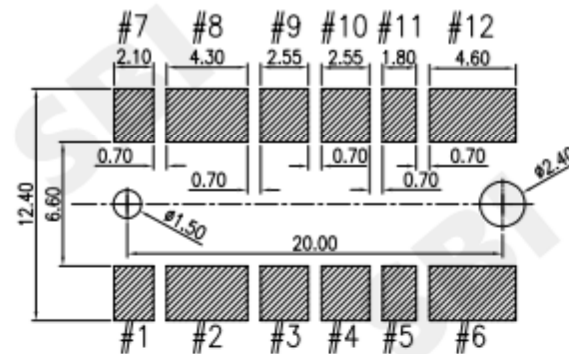
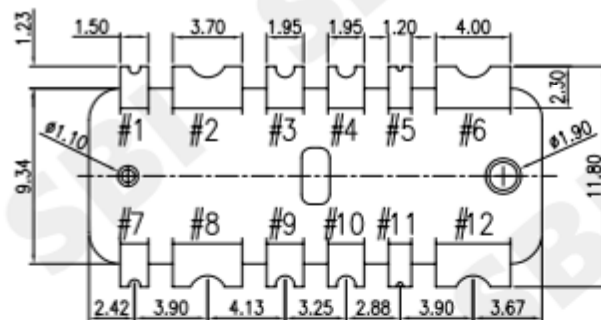
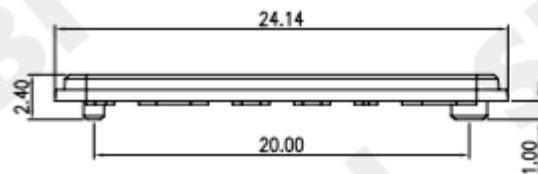
1-4.INSULATION RESISTANCE: 100MΩ MIN,MEASURED BY 500V DC

2. LIFE TEST:MECHANICAL LIFE TEST 5,000 CYCLES.

3. PACKING:TAPE & REEL(1000PCS/REEL)



SCHEMATIC



RECOMMENDED P.C.B LAYOUT
TOP VIEW (TOLRANCE:±0.05)

No.	DESCRIPTION	MATERIAL	PLATING
1	TERMINAL	C5210	15u" Au PLATED
2	HOUSING	LCP	BLACK

SMART BILLION INDUSTRIAL LIMITED

COPYRIGHT RESERVED,PLEASE DO NOT COPY.

PART NAME		CONNECTOR		DRAWING		Z.L.Liang		DWG.No.	
PART NO.		CL-020S		CHECK		G.C.Chen		REV. A0	
UNIT : mm	TOLERANCE UNLESS OTHERWISE SPECIFIED	X.X ± 0.3	ANGLE	APPROVAL	G.C.Chen	DATE	2021-Jul-22	PAGE	1 OF 1
		X.XX ± 0.2		SCALE	1:1				
		X.XXX ± 0.1	0°±3'						

F

E

D

C

B

A