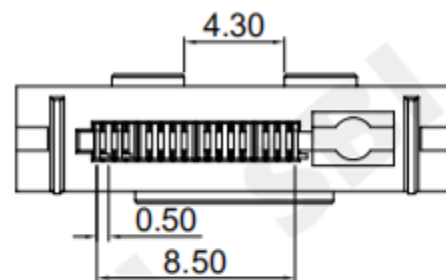
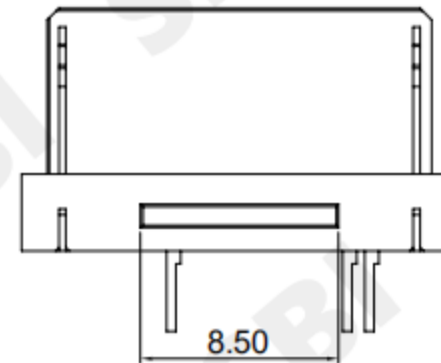
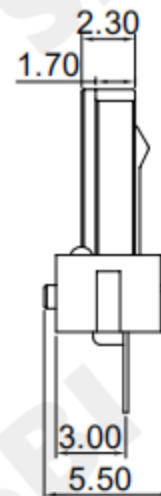
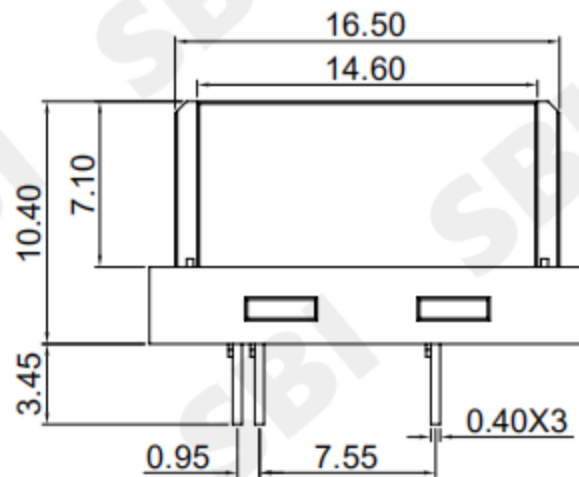
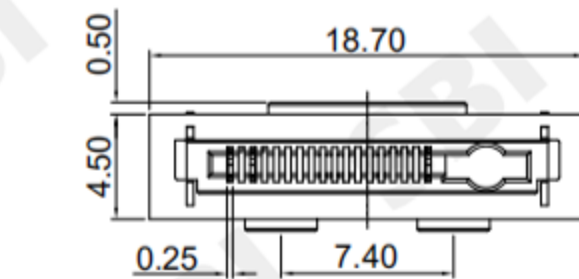


RoHS
Compliant

SYMBOL	REVISION	APPROVAL	DATE

SPECIFICATIONS

- ELECTRICAL CHARACTERISTICS:
 - 1-1.RATING: 5V DC 2.0A
 - 1-2.CONTACT RESISTANCE: 50mΩ MAX
 - 1-3.DIELECTRIC WITHSTANDING VOLTAGE: 300V AC FOR ONE MINUTE
 - 1-4.INSULATION RESISTANCE: 100MΩ MIN,MEASURED BY 500V DC



3	HOOK	SUS	2	NATURAL
2	TERMINAL	C5210-EH	3	Au PLATED
1	HOUSE	PBT	1	BLACK
NO.	DESCRIPTION	MATERIAL	QTY.	FINISHING

SMART BILLION INDUSTRIAL LIMITED

COPYRIGHT RESERVED,PLEASE DO NOT COPY.

PART NAME		CONNECTOR		DRAWING	Z.L.Liang	DWG.No.	
PART NO.		AU-18PIN-L13K		CHECK	G.C.Chen	REV.	A0
UNIT	TOLERANCE	OTHERWISE	UP TO 5	±0.2	ANGLE	APPROVAL	DATE
			ABOVE 5~30	±0.3			
mm			ABOVE 30	±0.5	0°±3'	G.C.Chen	2020-11-11
			ANGLE	±3'		SCALE	PAGE
						1:1	1 OF 1

F E D C B A