

F

E

D

C

B

A

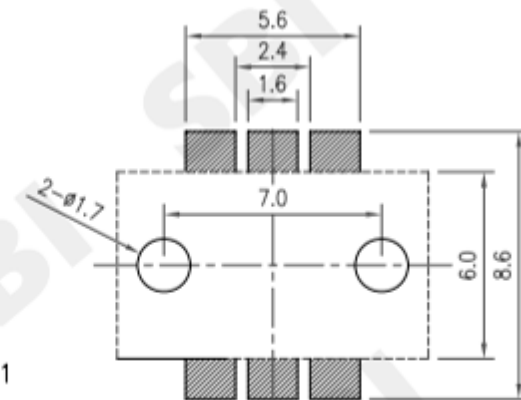
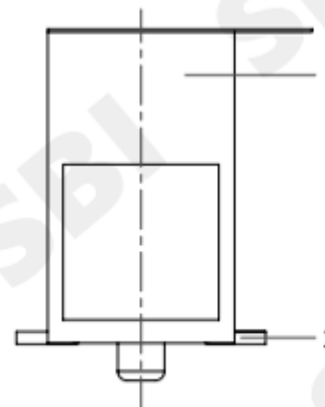
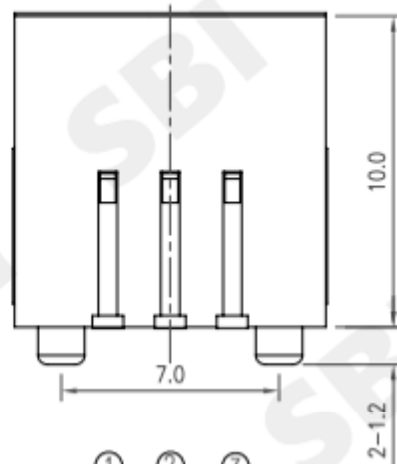
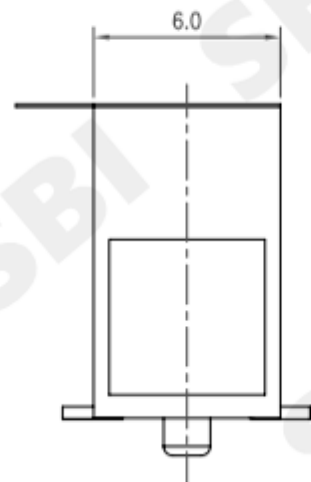
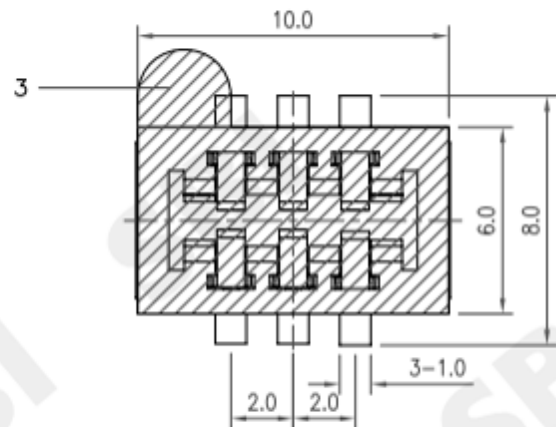
RoHS
Compliant

SYMBOL

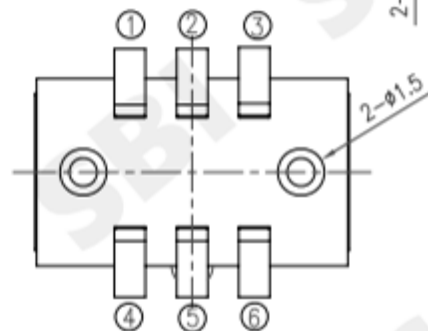
REVISION

APPROVAL

DATE

P.C.B LAYOUT
TOP VIEW

CIRCUIT



NO.	PARTS	MATERIAL	QTY.	FINISHING
3	FILM	POLYIMIDE	1	YELLOW
2	TERMINAL	BRASS	6	Ag PLATED
1	HOUSING	PPA	1	BLACK

SMART BILLION INDUSTRIAL LIMITED

COPYRIGHT RESERVED, PLEASE DO NOT COPY.

PART NAME

CONNECTOR

DRAWING

M.M.Zhang

DWG.No.

SBCL016-1

PART NO.

CL-006S-F

CHECK

G.C.Chen

REV.

A



UNIT :

TOLERANCE

UP TO 5
ABOVE 5 ~30
ABOVE 30
ANGLE

ANGLE

APPROVAL

DATE

mm

OTHERWISE

±0.2
±0.3
±0.5
±3°

0°±3°

SCALE

2:1

PAGE

1 OF 2

F

E

D

C

B

A