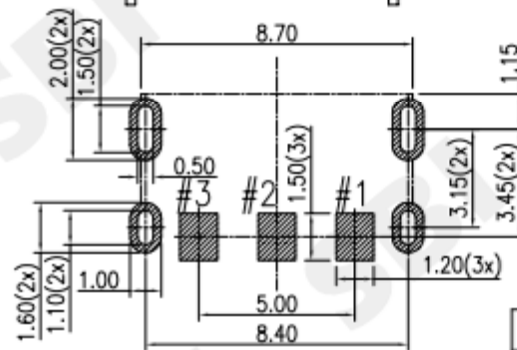
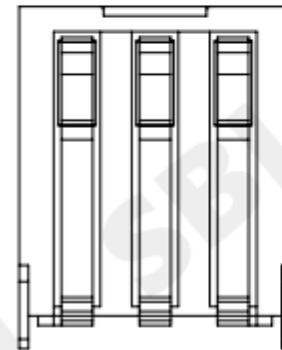
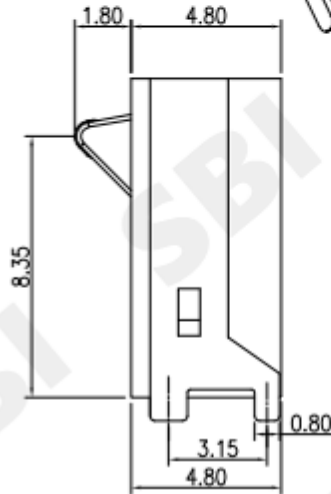
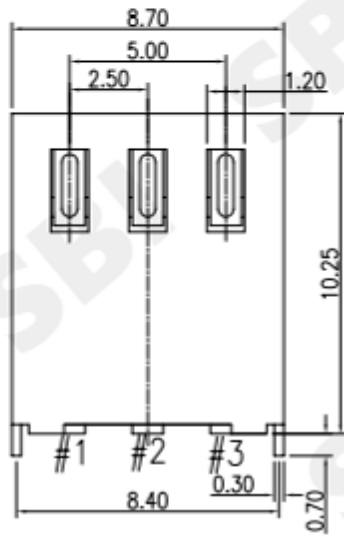
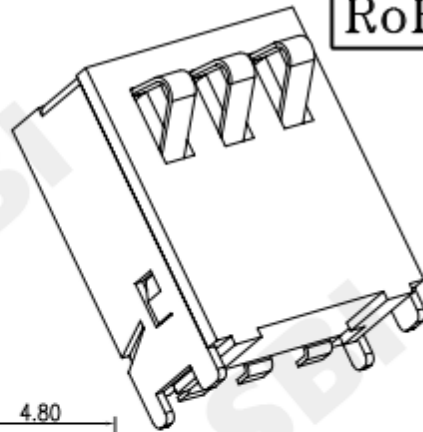
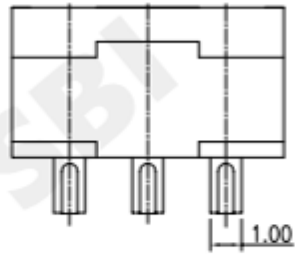


RoHS Compliant

SYMBOL	REVISION	APPROVAL	DATE

SPECIFICATIONS

- ELECTRICAL CHARACTERISTICS:
 - 1-1.RATING: DC 20V 3A MAX / AC 100V 2A
 - 1-2.CONTACT RESISTANCE: 20mΩ MAX(INITAL)
 - 1-3.DIELECTRIC WITHSTANDING VOLTAGE: 500V AC FOR ONE MINUTE
 - 1-4.INSULATION RESISTANCE: 100MΩ MIN,MEASURED BY 500V DC
- OPERATING:100±30gf
- LIFE TEST:MECHANICAL LIFE TEST 10,000 CYCLES.
- PACKING:TAPE & REEL



SCHEMATIC

RECOMMENDED P.C.B LAYOUT
TOP VIEW (TOLRANCE:±0.05)

No.	DESCRIPTION	MATERIAL	PLATING
1	CONTACT TERMINAL	BeCu	Au PLATED
2	HOUSING	LCP	BLACK
3	FRAME	SUS	Ni PLATED

SMART BILLION INDUSTRIAL LIMITED

COPYRIGHT RESERVED,PLEASE DO NOT COPY.

PART NAME	CONNECTOR	DRAWING	Z.L.Liong	DWG.No.
PART NO.	CL-028S-3P-TR	CHECK	G.C.Chen	REV. A0
UNIT : mm	TOLERANCE UNLESS OTHERWISE SPECIFIED X.X ± 0.3 X.XX ± 0.2 X.XXX ± 0.1	ANGLE APPROVAL	G.C.Chen	DATE 2019-Nov-08
		SCALE	1:1	PAGE 1 OF 1