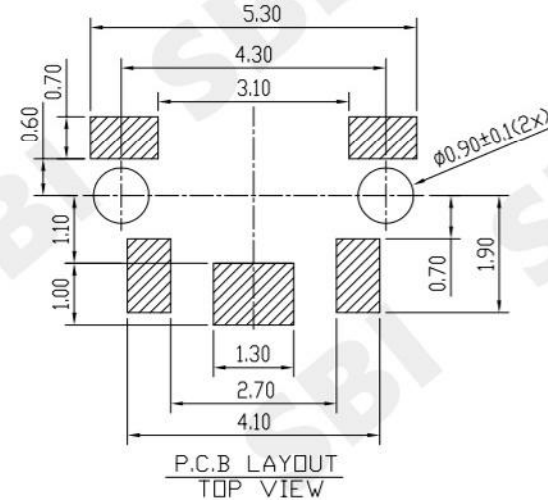
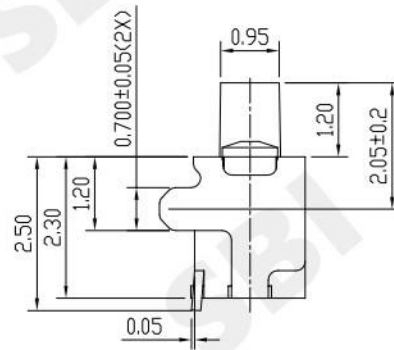
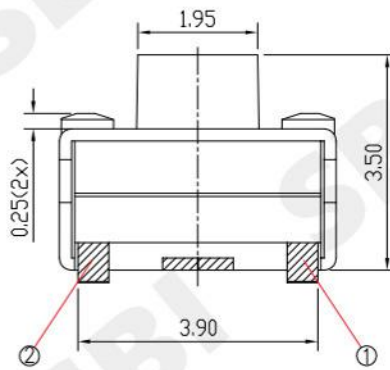
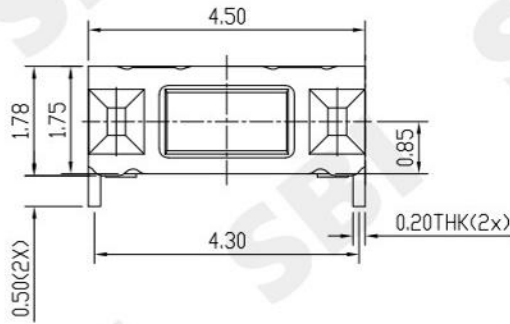


RoHS
Compliant

SYMBOL	REVISION	APPROVAL	DATE

SPECIFICATIONS

- ELECTRICAL CHARACTERISTICS:
 - 1-1.RATING: DC 12V 50mA
 - 1-2.CONTACT RESISTANCE: 100mΩ MAX(INITAL)
 - 1-3.DIELECTRIC WITHSTANDING VOL TAGE: 250V AC FOR ONE MINUTE
 - 1-4.INSULATION RESISTANCE: 100MΩ MIN,MEASURED BY 500V DC
- MECHANICAL CHARACTERISTICS:
 - 2-1.OPERATING FORCE :160±50gf
- LIFE TEST:ELECTRONICS LIFE TEST 100,000 CYCLES.



No.	DESCRIPTION	MATERIAL	QTY.	PLATING
7	TERMINAL	C5210	2	Ag PLATED
6	CASE	LCP	1	BLACK
5	DOMES	SUS	2	Ag CLAD
4	FILM	TEFLON	1	NATURAL
3	COVER	PA46	1	BLACK
2	KNOB	LCP	1	BLACK
1	FRAME	C5210	1	Ag PLATED

SMART BILLION INDUSTRIAL LIMITED

PART NAME		TACT SWITCH(SMD)		DRAWING	Z.L.Liang	DWG.No.	
PART NO.		TS-2134S-160-TR		CHECK	G.C.Chen	REV.	A0
	UNIT :	TOLERANCE UNLESS OTHERWISE SPECIFIED	UP TO 5	±0.2	ANGLE	APPROVAL	DATE
			ABOVE 5 ~30	±0.3			
	mm		ABOVE 30	±0.5			2020/07/01
			ANGLE	±3'			1 OF 1

COPYRIGHT RESERVED,PLEASE DO NOT COPY.