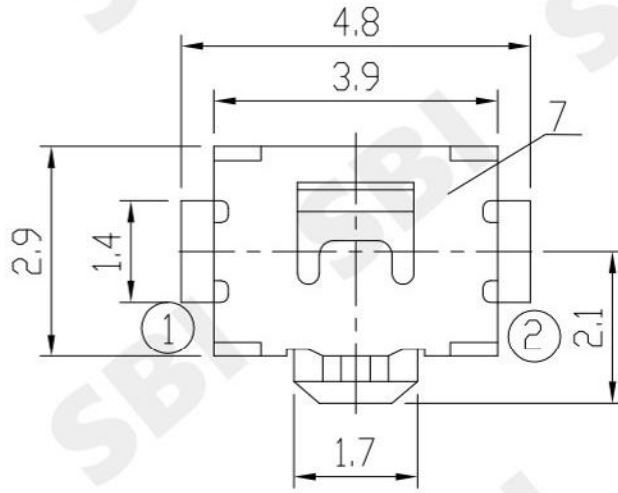
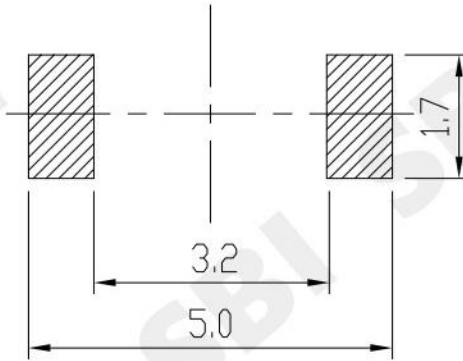


RoHS
Compliant

SYMBOL	REVISION	APPROVAL	DATE

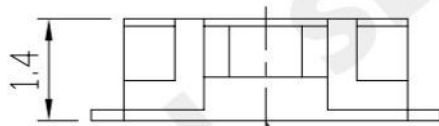


P.C.B LAYOUT
TOP VIEW

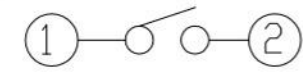
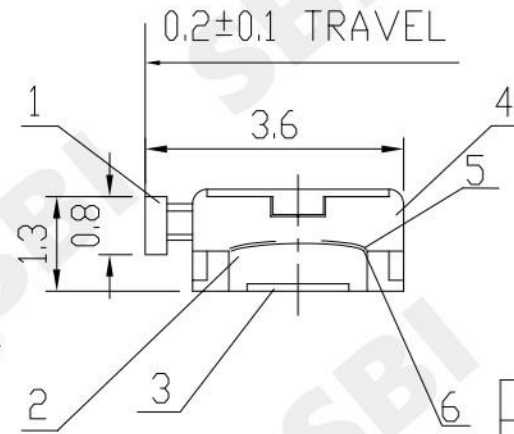


SPECIFICATIONS

- ELECTRICAL CHARACTERISTICS:
 - 1-1.RATING: DC 12V 50mA
 - 1-2.CONTACT RESISTANCE: 100mΩ MAX(INITAL)
 - 1-3.DIELECTRIC WITHSTANDING VOLTAGE: 250V AC FOR ONE MINUTE
 - 1-4.INSULATION RESISTANCE: 100MΩ MIN,MEASURED BY 500V DC
- MECHANICAL PERFORMANCE
 - 2-1.OPERATING FORCE :260±80gf
- LIFE TEST
 - 3-1.ELECTRONICS LIFE TEST 100,000 CYCLES.



Without Embossed Case



CIRCUIT

6	CONTACT	SUS	Ag CLAD
5	FILM	POLYIMIDE	NATURAL
4	COVER	SUS	Ni PLATED
3	TERMINAL	C5191	Ag PLATED
2	CASE	LCP	BLACK
1	KNOB	PA46	BLACK
No.	PARTS	MATERIAL	PLATING

SMART BILLION INDUSTRIAL LIMITED

PART NAME		TACT SWITCH(SMD)		DRAWING	Z.L.Liang	DWG.No.	
PART NO.		TS-7346S-260-TR		CHECK	G.C.Chen	REV.	A
UNIT: mm	TOLERANCE UNLESS OTHERWISE SPECIFIED	UP TO 5	±0.2	ANGLE	APPROVAL	DATE	2019-06-08
		ABOVE 5~30	±0.3			SCALE	PAGE
		ABOVE 30	±0.5	0°±3'	1:1		
		ANGLE	±3'				

COPYRIGHT RESERVED,PLEASE DO NOT COPY.

F

E

D

C

B

A