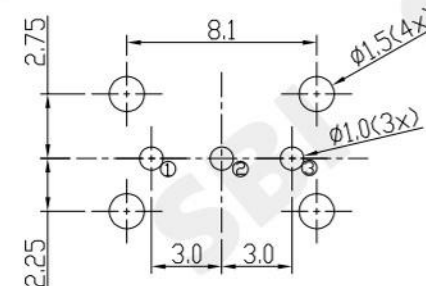
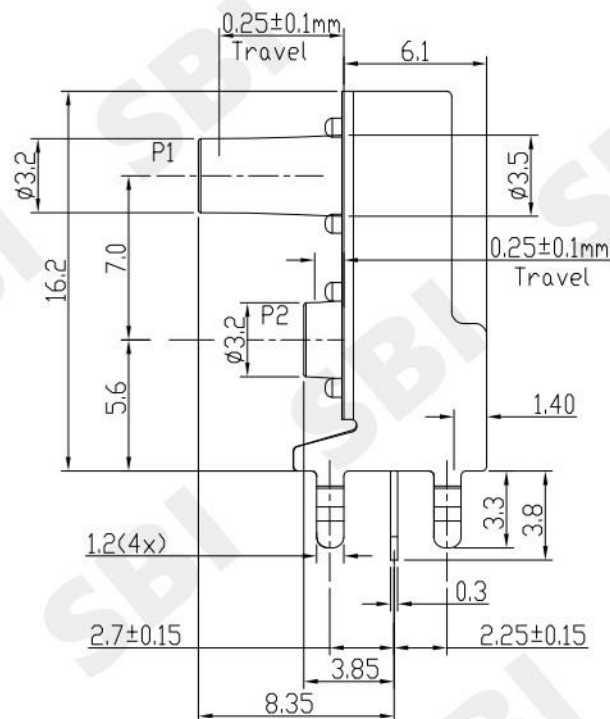
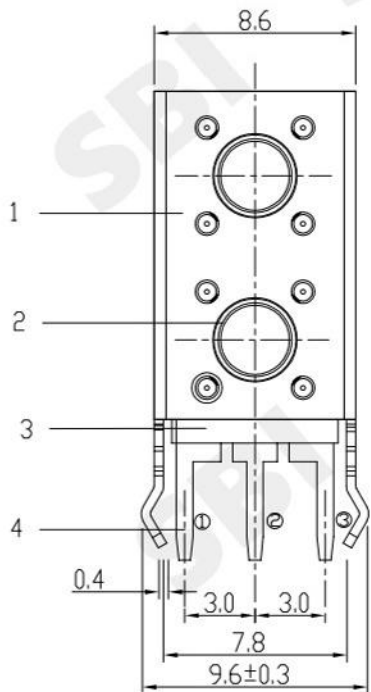
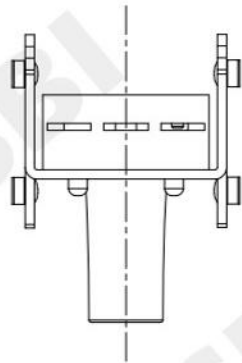


RoHS  
Compliant

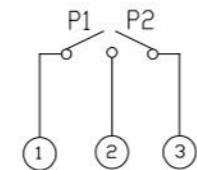
SYMBOL	REVISION	APPROVAL	DATE

**SPECIFICATIONS**

- ELECTRICAL CHARACTERISTICS:
  - 1-1.RATING: DC 12V 50mA
  - 1-2.CONTACT RESISTANCE: 100mΩ MAX(INITAL)
  - 1-3.DIELECTRIC WITHSTANDING VOL TAGE: 250V AC FOR ONE MINUTE
  - 1-4.INSULATION RESISTANCE: 100MΩ MIN,MEASURED BY 500V DC
- MECHANICAL CHARACTERISTICS:
  - 2-1.OPERATING FORCE :160±30gf;250±50gf
- LIFE TEST:ELECTRONICS LIFE TEST 100,000 CYCLES.



P.C.B LAYOUT  
TOP VIEW



CIRCUIT

No.	DESCRIPTION	MATERIAL	QTY.	PLATING
5	DOME	SUS	2	Ag CLAD
4	TERMINAL	C2680	4	Ag PLATED
3	CASE	PA66	1	BLACK
2	KNOB	PA66	2	BLACK
1	COVER	SPCC	1	Ni PLATED

**SMART BILLION INDUSTRIAL LIMITED**

PART NAME		TACT SWITCH		DRAWING		Z.L.Liang		DWG.No.	
PART NO.		TSD-1283-38V-160		CHECK		G.C.Chen		REV.	
UNIT :		TOLERANCE UNLESS OTHERWISE SPECIFIED		ANGLE		APPROVAL		DATE	
mm		UP TO 5 ±0.2 ABOVE 5 ~30 ±0.3 ABOVE 30 ±0.5 ANGLE ±3°		SCALE		1:1		2020/010/17	
								PAGE	
								1 OF 1	

COPYRIGHT RESERVED,PLEASE DO NOT COPY.