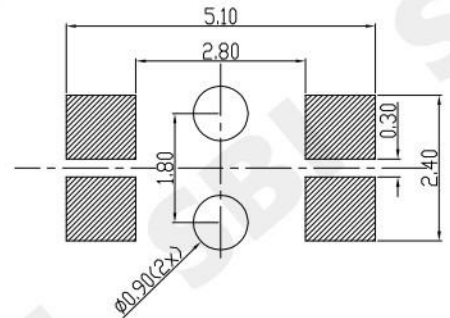
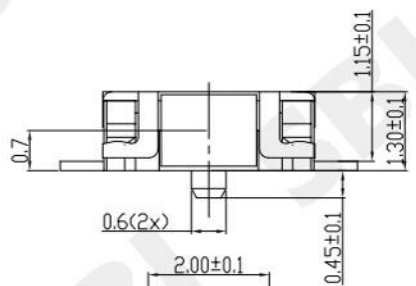
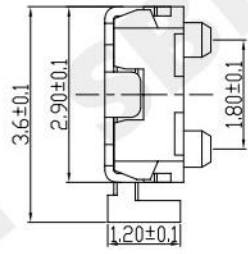
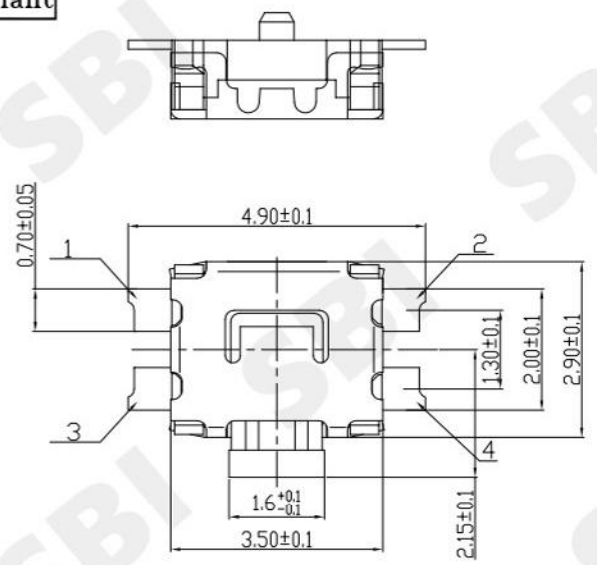


RoHS
Compliant

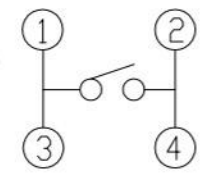
SYMBOL	REVISION	APPROVAL	DATE

SPECIFICATIONS

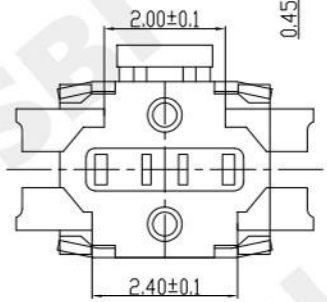
- ELECTRICAL CHARACTERISTICS:
 - 1-1.RATING: DC 12V 50mA
 - 1-2.CONTACT RESISTANCE: 100mΩ MAX(INITAL)
 - 1-3.DIELECTRIC WITHSTANDING VOLTAGE: 250V AC FOR ONE MINUTE
 - 1-4.INSULATION RESISTANCE: 100MΩ MIN,MEASURED BY 500V DC
- MECHANICAL PERFORMANCE
 - 2.1.OPERATING FORCE :180±50gf,250±50gf
- LIFE TEST
 - 3.1.3-1.ELECTRONICS LIFE TEST 50,000 CYCLES.



P.C.B LAYOUT
TOP VIEW



CIRCUIT



No.	DESCRIPTION	MATERIAL	PLATING
1	KNOB	NYLON	GRAY
2	CASE	LCP	BLACK
3	TERMINAL	C5191R-H	Ag PLATED
4	COVER	SUS301	NATURAL
5	FILM	POLYIMIDE	GRAY
6	DOME	SUS	Ag PLATED

SMART BILLION INDUSTRIAL LIMITED

COPYRIGHT RESERVED,PLEASE DO NOT COPY.

PART NAME	TACT SWITCH(SMD)	DRAWING	Z.L.Liang	DWG.No.	
PART NO.	TS-7455S-E-250-TR	CHECK	G.C.Chen	REV.	A
UNIT:	TOLERANCE UNLESS OTHERWISE SPECIFIED	APPROVAL		DATE	2019.05.05
mm	UP TO 5 ±0.2 ABOVE 5~30 ±0.3 ABOVE 30 ±0.5 ANGLE ±3°	SCALE	1:1	PAGE	1 OF 1