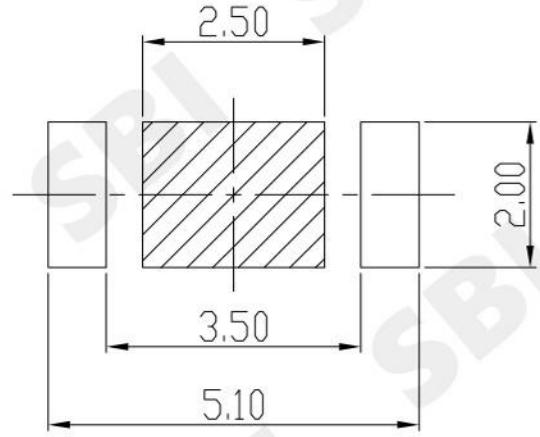
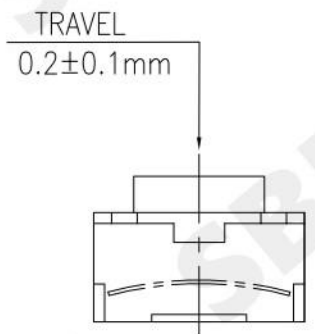
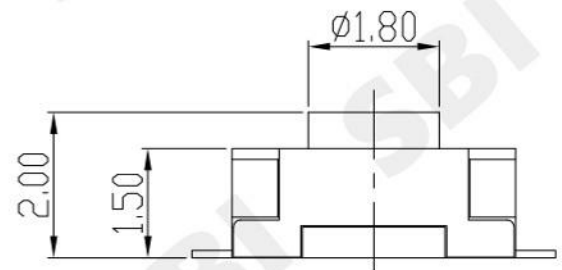
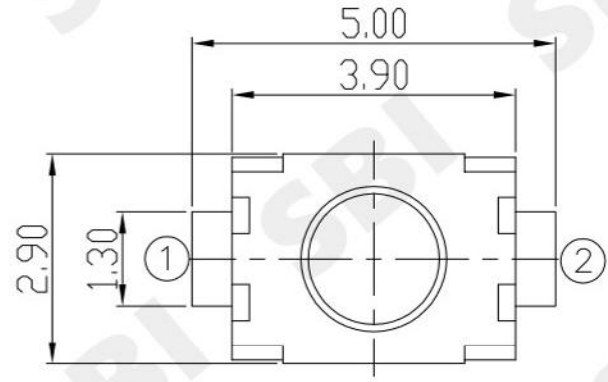


RoHS
Compliant

SYMBOL	REVISION	APPROVAL	DATE

SPECIFICATIONS

1. ELECTRICAL CHARACTERISTICS:
 - 1-1.RATING: DC 12V 50mA
 - 1-2.CONTACT RESISTANCE: 100mΩ MAX(INITAL)
 - 1-3.DIELECTRIC WITHSTANDING VOLTAGE: 250V AC FOR ONE MINUTE
 - 1-4.INSULATION RESISTANCE: 100MΩ MIN,MEASURED BY 500V DC
2. MECHANICAL PERFORMANCE
 - 2.1.OPERATING FORCE :250±100gf
3. LIFE TEST
 - 3.1.3-1.ELECTRONICS LIFE TEST 100,000 CYCLES.



P.C.B. LAYOUT
TOP VIEW

CIRCUIT

5	TERMINAL	BRASS STRIP	4	Ag PLATED
4	DOME	SUS	1	Ag CLAD
3	CASE	LCP	1	BLACK
2	COVER	SUS	1	NATURAL
1	KNOB	PA46	1	BLACK
NO.	PARTS	MATERIAL	QTY.	FINISHING

SMART BILLION INDUSTRIAL LIMITED

COPYRIGHT RESERVED,PLEASE DO NOT COPY.

PART NAME		TACT SWITCH(SMD)		DRAWING	Z.L.Liang	DWG.No.	SBT206
PART NO.		TS-3220S-250-TR		CHECK	G.C.Chen	REV.	A
	UNIT:	TOLERANCE UNLESS OTHERWISE SPECIFIED UP TO 5 ±0.2 ABOVE 5~30 ±0.3 ABOVE 30 ±0.5 ANGLE ±3°	ANGLE	APPROVAL		DATE	2019/10/11
	mm		SCALE	1:1	PAGE	1 OF 1	