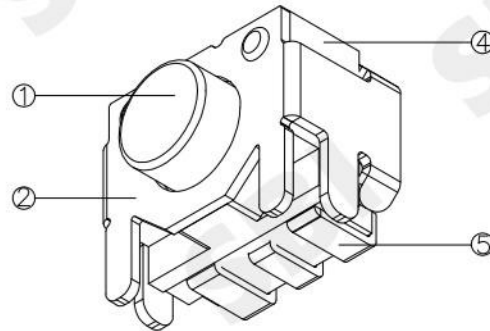
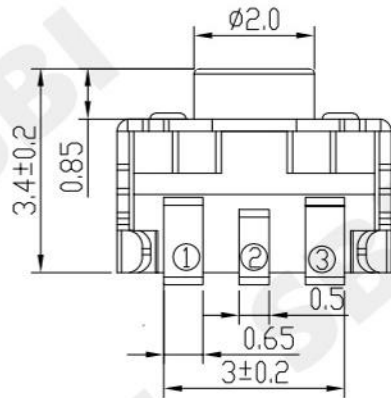
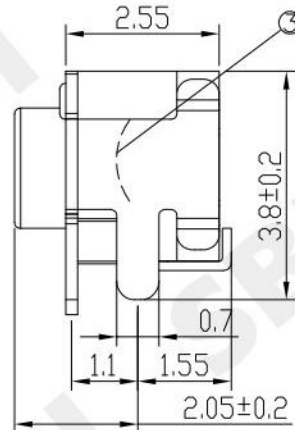
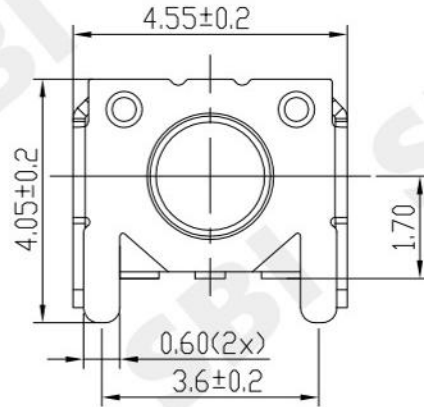


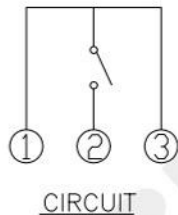
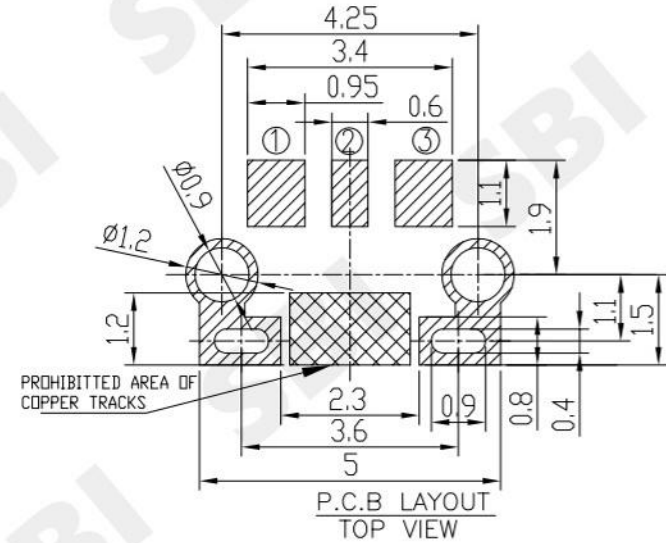
RoHS  
Compliant

SYMBOL	REVISION	APPROVAL	DATE



**SPECIFICATIONS**

1. ELECTRICAL CHARACTERISTICS:
  - 1-1.RATING: DC 12V 50mA
  - 1-2.CONTACT RESISTANCE: 100mΩ MAX(INITAL)
  - 1-3.DIELECTRIC WITHSTANDING VOLTAGE: 250V AC FOR ONE MINUTE
  - 1-4.INSULATION RESISTANCE: 100MΩ MIN,MEASURED BY 500V DC
  - 1-5.BOUNCE:10sec. MAX
2. MECHANICAL PERFORMANCE
  - 2.1.OPERATING FORCE :160±30gf;250±50gf,
3. LIFE TEST
  - 3.1.3-1.ELECTRONICS LIFE TEST 300,000 CYCLES (FORCE:160gf)
  - 3.1.3-2.ELECTRONICS LIFE TEST 200,000 CYCLES (FORCE:250gf).



5	TERMINAL	C2680	1	Ag PLATED
4	CASE	LCP	1	BLACK
3	DOMES	SUS301	2	Ag CLAD
2	COVER	C5210	1	Ag PLATED
1	KNOB	LCP	1	BLACK
No.	DESCRIPTION	MATERIAL	QTY.	PLATING

**SMART BILLION INDUSTRIAL LIMITED**

COPYRIGHT RESERVED,PLEASE DO NOT COPY.

PART NAME		TACT SWITCH(SMD)		DRAWING	Z.L.Liang	DWG.No.	SBT39
PART NO.		TS-3135S-250-TR		CHECK	G.C.Chen	REV.	A0
UNIT :	mm	TOLERANCE UNLESS OTHERWISE SPECIFIED	UP TO 5	±0.2	ANGLE	APPROVAL	DATE
			ABOVE 5 ~30	±0.3			
			ABOVE 30	±0.5	0°±3'	1:1	1 OF 1
			ANGLE	±3'			

F

E

D

C

B

A