

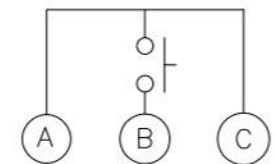
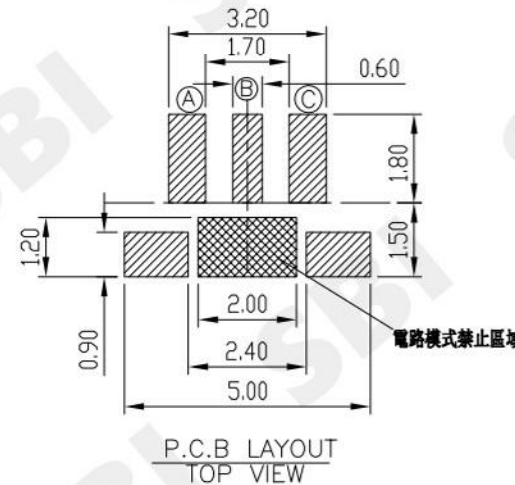
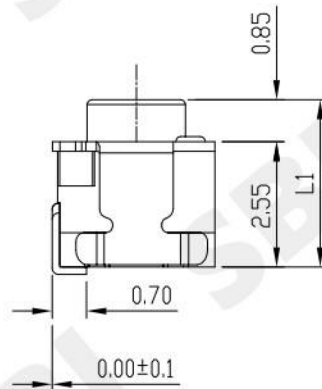
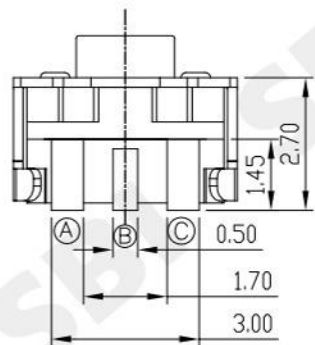
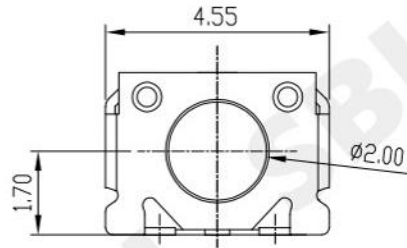
RoHS  
Compliant

Part Number	L1	FORCE
TS-3133S-ND-180-TR	3.4	180
TS-3160S-ND-180-TR	6.0	250

SYMBOL	REVISION	APPROVAL	DATE

**SPECIFICATIONS**

- ELECTRICAL CHARACTERISTICS:
  - 1-1.RATING: DC 12V 50mA
  - 1-2.CONTACT RESISTANCE: 100mΩ MAX(INITAL)
  - 1-3.DIELECTRIC WITHSTANDING VOL TAGE: 250V AC FOR ONE MINUTE
  - 1-4.INSULATION RESISTANCE: 100MΩ MIN,MEASURED BY 500V DC
- MECHANICAL CHARACTERISTICS:
  - 2-1.OPERATING FORCE :180±50gf;250±100gf
- LIFE TEST:ELECTRONICS LIFE TEST 100,000 CYCLES.



No.	DESCRIPTION	MATERIAL	QTY.	PLATING
5	DOME	SUS	1	Ag CLAD
4	COVER	C2680	1	Ag PLATED
3	TERMINAL	C2680	2	Ag PLATED
2	CASE	LCP	1	BLACK
1	KNOB	LCP	1	BLACK

**SMART BILLION INDUSTRIAL LIMITED**

COPYRIGHT RESERVED,PLEASE DO NOT COPY.

PART NAME	TACT SWITCH(SMD)	DRAWING	Z.L.Liang	DWG.No.	
PART NO.	TS-3133S-ND-180-TR	CHECK	G.C.Chen	REV.	A0
UNIT :	mm	APPROVAL	G.C.Chen	DATE	2021/04/06
TOLERANCE UNLESS OTHERWISE SPECIFIED UP TO 5 ±0.2 ABOVE 5 ~30 ±0.3 ABOVE 30 ±0.5 ANGLE ±3°	ANGLE	SCALE	1:1	PAGE	1 OF 1