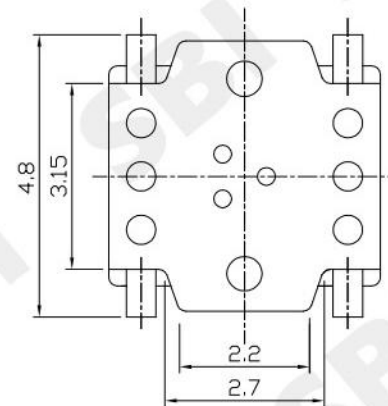
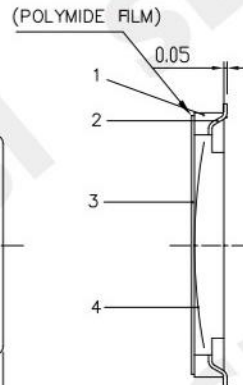
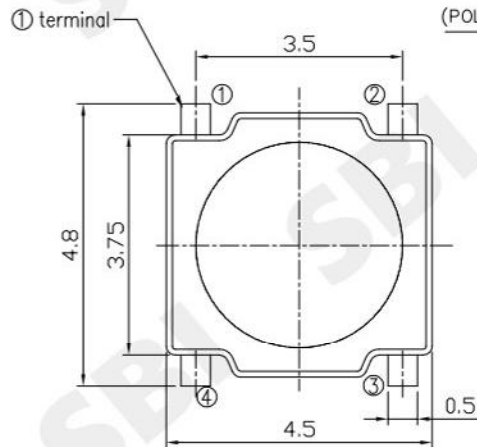


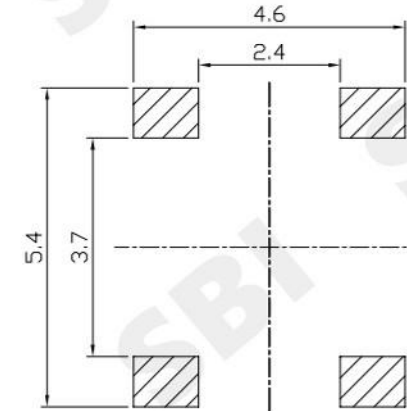
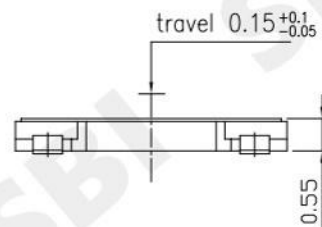
RoHS
Compliant

SYMBOL	REVISION	APPROVAL	DATE

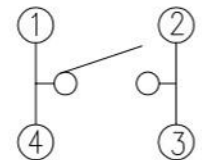


SPECIFICATIONS

- ELECTRICAL CHARACTERISTICS:
 - 1-1.RATING: DC 12V 100mA
 - 1-2.CONTACT RESISTANCE: 70mΩ MAX(INITAL)
 - 1-3.DIELECTRIC WITHSTANDING VOLTAGE: 500V AC FOR ONE MINUTE
 - 1-4.INSULATION RESISTANCE: 100MΩ MIN,MEASURED BY 500V DC
- MECHANICAL CHARACTERISTICS:
 - 2-1.OPERATING FORCE :160±30gf;250±50gf
- LIFE TEST:
 - 3-1.ELECTRONICS LIFE TEST 300,000 CYCLES.(For 160gf)
 - 3-2.ELECTRONICS LIFE TEST 100,000 CYCLES.(For 250gf)



P.C.B LAYOUT
TOP VIEW



CIRCUIT

4	DOME	SUS	1	Ag CLAD
3	FILM	POLYIMIDE FILM	1	YELLOW
2	TERMINAL	BRASS STRIP	4	Ag PLATED
1	CASE	LCP	1	WHITE
No.	DESCRIPTION	MATERIAL	QTY.	PLATING

SMART BILLION INDUSTRIAL LIMITED

COPYRIGHT RESERVED,PLEASE DO NOT COPY.

PART NAME		TACT SWITCH(SMD)		DRAWING	Z.L.Liang	DWG.No.	
PART NO.		TS-1506S-250-TR		CHECK	G.C.Chen	REV.	A0
	UNIT :	TOLERANCE UNLESS OTHERWISE SPECIFIED	UP TO 5	±0.2	ANGLE	APPROVAL	DATE
			ABOVE 5 ~30	±0.3			
	mm		ABOVE 30	±0.5		SCALE	PAGE
			ANGLE	±3'		1:1	1 OF 1