

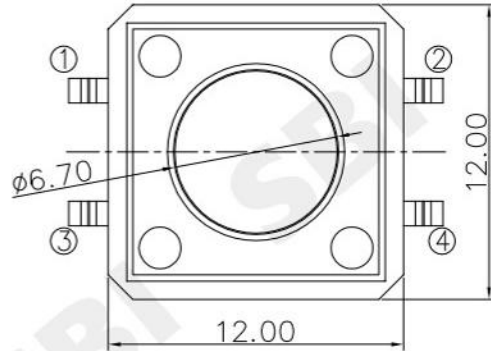
RoHS  
Compliant

Part Number	Knob Length(H)
TS-1243B-S-XXX	4.30mm
TS-1260B-S-XXX	6.00mm
TS-1275B-S-XXX	7.50mm
TS-1280B-S-XXX	8.00mm

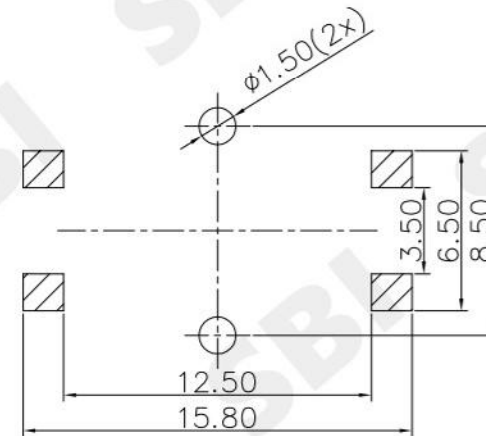
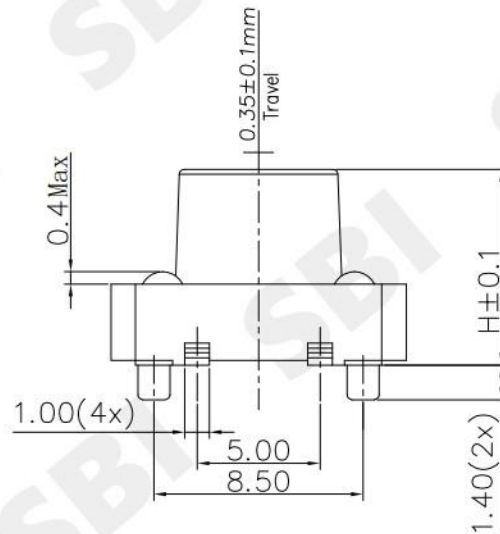
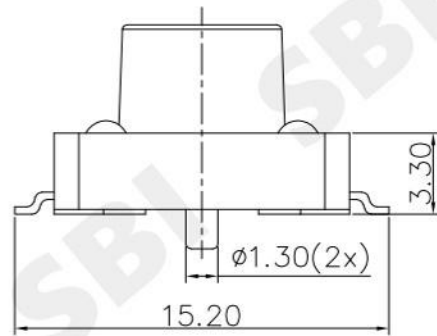
SYMBOL	REVISION	APPROVAL	DATE

**SPECIFICATIONS**

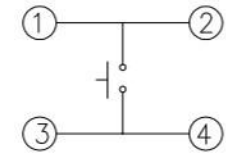
- ELECTRICAL CHARACTERISTICS:
  - 1-1.RATING: DC 12V 50mA
  - 1-2.CONTACT RESISTANCE: 100mΩ MAX(INITAL)
  - 1-3.DIELECTRIC WITHSTANDING VOL TAGE: 250V AC FOR ONE MINUTE
  - 1-4.INSULATION RESISTANCE: 100MΩ MIN,MEASURED BY 500V DC
- MECHANICAL CHARACTERISTICS:
  - 2-1.OPERATING FORCE :160±30gf;250±50gf
- LIFE TEST:ELECTRONICS LIFE TEST 100,000 CYCLES.



NOTE:TS-1243B-S-xxx  
OPERATING FORCE(160gf or 250gf)



P.C.B LAYOUT  
TOP VIEW



CIRCUIT

No.	DESCRIPTION	MATERIAL	QTY.	PLATING
5	TERMINAL	C2680	4	Ag PLATED
4	CASE	PPA	1	BLACK
3	DOME	SUS301	1	Ag CLAD
2	COVER	C2680	1	Ni PLATED
1	KNOB	PPA	1	BLACK

**SMART BILLION INDUSTRIAL LIMITED**

COPYRIGHT RESERVED,PLEASE DO NOT COPY.

PART NAME		TACT SWITCH		DRAWING	Z.L.Liang	DWG.No.	
PART NO.		TS-1260B-S-250		CHECK	G.C.Chen	REV. A0	
UNIT : mm	TOLERANCE UNLESS OTHERWISE SPECIFIED	UP TO 5	±0.2	ANGLE	APPROVAL	DATE	2018/05/08
		ABOVE 5 ~30	±0.3				
		ABOVE 30	±0.5	SCALE	1:1	PAGE	1 OF 1
		ANGLE	±3'				