

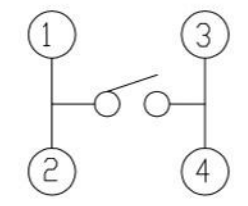
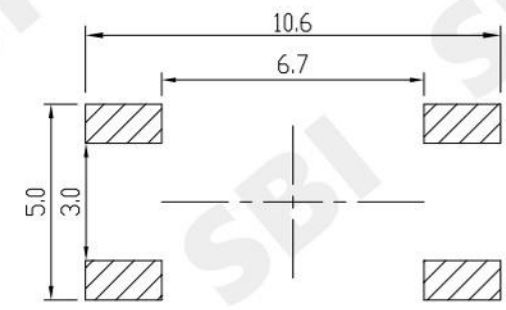
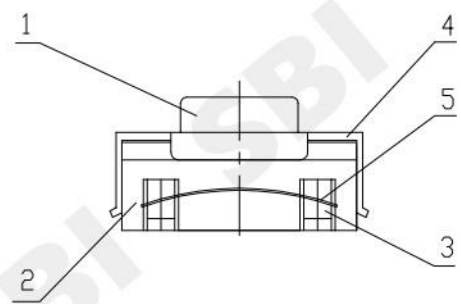
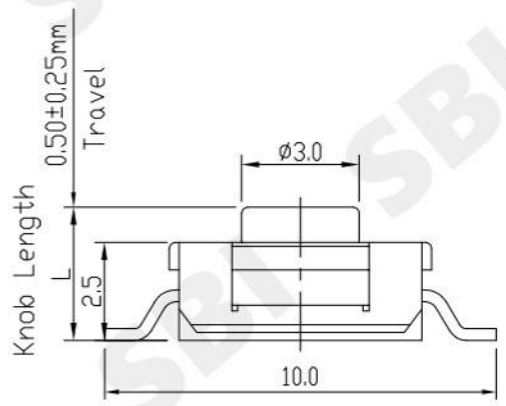
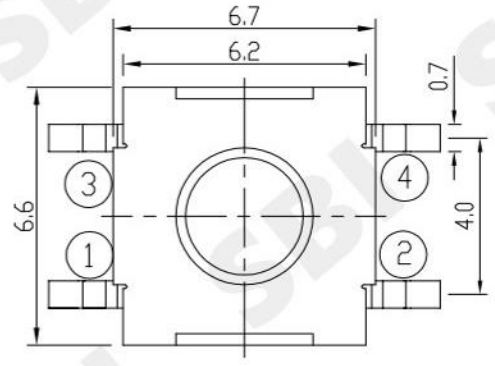
RoHS  
Compliant

SYMBOL	REVISION	APPROVAL	DATE

**SPECIFICATIONS**

- ELECTRICAL CHARACTERISTICS:
  - 1-1.RATING: DC 12V 50mA
  - 1-2.CONTACT RESISTANCE: 100mΩ MAX(INITAL)
  - 1-3.DIELECTRIC WITHSTANDING VOLTAGE: 250V AC FOR ONE MINUTE
  - 1-4.INSULATION RESISTANCE: 100MΩ MIN,MEASURED BY 500V DC
- MECHANICAL PERFORMANCE
  - 2.1.OPERATING FORCE :170±30gf; 250±100gf; 350±100gf
- LIFE TEST
  - 3.1.3-1.ELECTRONICS LIFE TEST 100,000 CYCLES.

PART NO.	Knob Lengh(L)	FORCE(gf)
TS-1231SL	3.1	170
TS-1234SL	3.4	250
TS-1251SL	5.1	350



P.C.B LAYOUT  
TOP VIEW

SCHEMATIC

NO.	PARTS	MATERIAL	QTY.	FINISHING
5	DOME	SUS	1	Ag CLAD
4	COVER	SUS	1	Ni PLATED
3	TERMINAL	BRASS STRIP	4	Ag PLATED
2	CASE	NYLON	1	BLACK/BROWN
1	KNOB	RUBBER	1	BLUE

**SMART BILLION INDUSTRIAL LIMITED**

COPYRIGHT RESERVED,PLEASE DO NOT COPY.

PART NAME		TACT SWITCH		DRAWING	Z.L.Liang	DWG.No.	SBT81
PART NO.		TS-1251SL-350-TR		CHECK	G.C.Chen	REV.	A
UNIT: mm	TOLERANCE UNLESS OTHERWISE SPECIFIED	UP TO 5	±0.2	ANGLE	APPROVAL	DATE	2019-12-12
		ABOVE 5~30	±0.3			SCALE	PAGE
		ABOVE 30	±0.5	0°±3'	1:1		