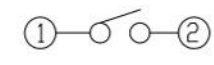
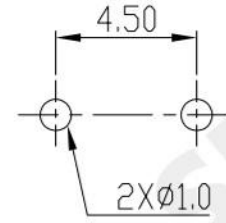
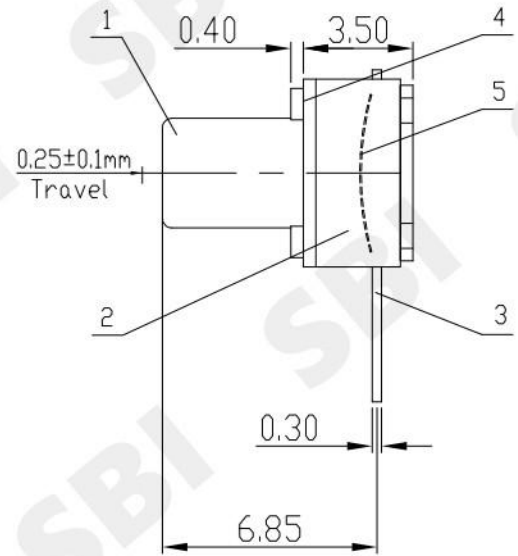
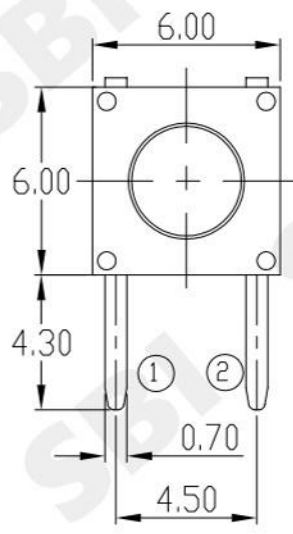
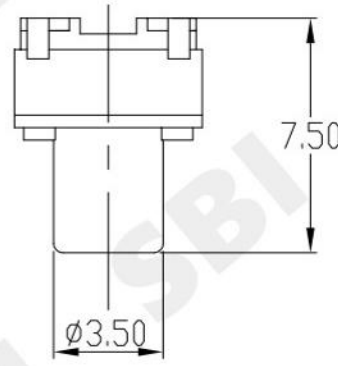


RoHS  
Compliant

SYMBOL	REVISION	APPROVAL	DATE

**SPECIFICATIONS**

- ELECTRICAL CHARACTERISTICS:
  - 1-1.RATING: DC 12V 50mA
  - 1-2.CONTACT RESISTANCE: 100mΩ MAX(INITAL)
  - 1-3.DIELECTRIC WITHSTANDING VOLTAGE: 250V AC FOR ONE MINUTE
  - 1-4.INSULATION RESISTANCE: 100MΩ MIN,MEASURED BY 500V DC
- MECHANICAL PERFORMANCE
  - 2-1.OPERATING FORCE :160±50gf
- LIFE TEST
  - 3-1.ELECTRONICS LIFE TEST 100,000 CYCLES.



P.C.B LAYOUT  
TOP VIEW

CIRCUIT

NO.	PARTS	MATERIAL	QTY.	FINISHING
5	DOME	C5210	1	Ag CLAD
4	COVER	SPCC	1	Ni PLATED
3	TERMINAL	C2680	2	Ag PLATED
2	CASE	PA66	1	BLACK
1	KNOB	PA66	1	BLACK

**SMART BILLION INDUSTRIAL LIMITED**

PART NAME		TACT SWITCH		DRAWING	Z.L.Liang	DWG.No.	
PART NO.		TS-1168VN-M-160		CHECK	G.C.Chen	REV.	A
UNIT: mm	TOLERANCE UNLESS OTHERWISE SPECIFIED	UP TO 5	±0.2	ANGLE	APPROVAL	DATE	2019-12-20
		ABOVE 5~30	±0.3			SCALE	PAGE
		ABOVE 30	±0.5				
		ANGLE	±3°				

COPYRIGHT RESERVED,PLEASE DO NOT COPY.