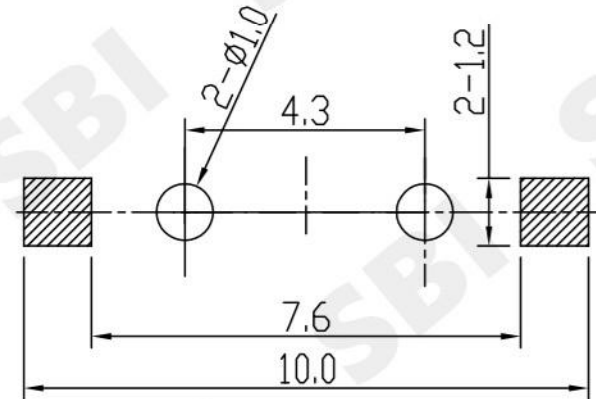
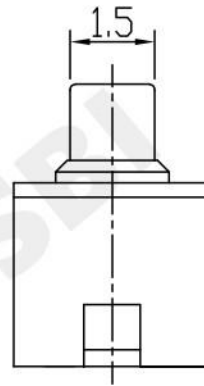
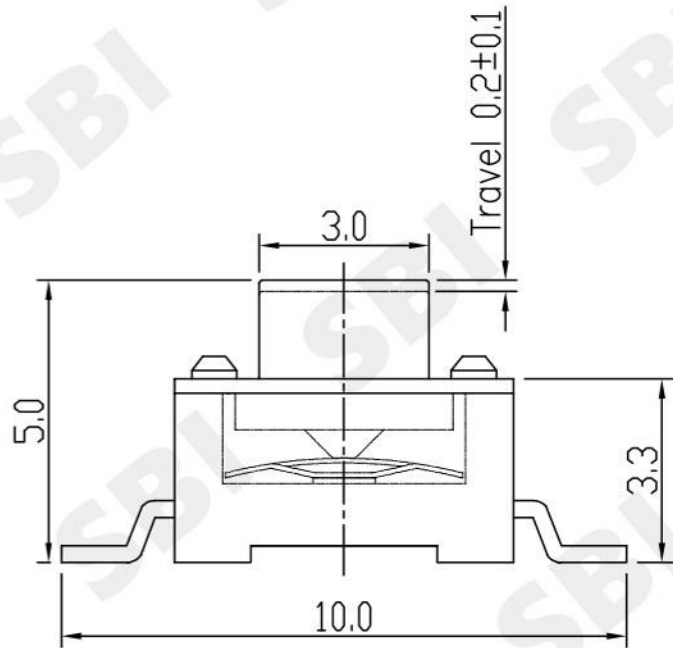
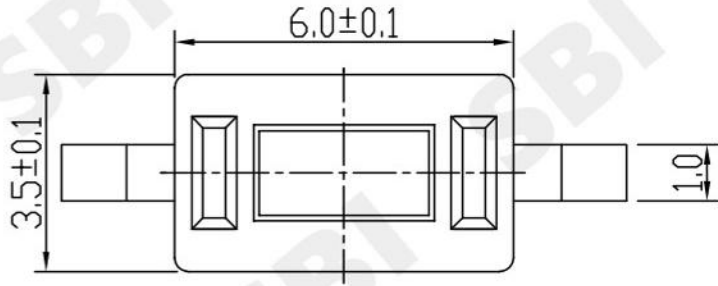


RoHS
Compliant

| SYMBOL | REVISION | APPROVAL | DATE |
|--------|----------|----------|------|
| | | | |
| | | | |

SPECIFICATIONS

1. ELECTRICAL CHARACTERISTICS:
 - 1-1.RATING: DC 24V 30mA
 - 1-2.CONTACT RESISTANCE: 100Ω MAX(INITAL)
 - 1-3.DIELECTRIC WITHSTANDING VOLTAGE: 250V AC FOR ONE MINUTE
 - 1-4.INSULATION RESISTANCE: 100MΩ MIN,MEASURED BY 500V DC
2. MECHANICAL PERFORMANCE
 - 2.1.OPERATING FORCE :180±100gf
3. LIFE TEST
 - 3.1.3-1.ELECTRONICS LIFE TEST 30,000 CYCLES.



P.C.B LAYOUT
TOP VIEW



CIRCUIT

| NO. | PARTS | MATERIAL | QTY. | FINISHING |
|-----|----------|----------|------|-----------|
| 5 | COVER | SPCC | 1 | Ni PLATED |
| 4 | KNOB | LCP | 1 | WHITE |
| 3 | SHRAPNEL | SUS | 1 | Ag CLAD |
| 2 | CASE | PPA | 1 | WHITE |
| 1 | TERMINAL | C2680 | 2 | Ag PLATED |

SMART BILLION INDUSTRIAL LIMITED

COPYRIGHT RESERVED,PLEASE DO NOT COPY.

| PART NAME | | TACT SWITCH | | DRAWING | Z.L.Liang | DWG.No. | SBT4 |
|-----------|--------------------------------------|----------------|------|---------|-----------|---------|------------|
| PART NO. | | TS-1150HSL-180 | | CHECK | G.C.Chen | REV. | A |
| UNIT : | TOLERANCE UNLESS OTHERWISE SPECIFIED | UP TO 5 | ±0.2 | ANGLE | APPROVAL | DATE | 2020-11-01 |
| mm | | ABOVE 5~30 | ±0.3 | 0°±3' | SCALE | PAGE | 1 OF 1 |
| | | ABOVE 30 | ±0.5 | | | | |
| | | ANGLE | ±3' | | | | |