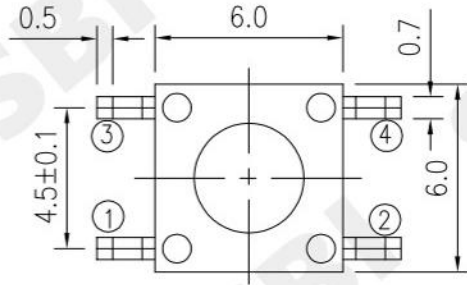


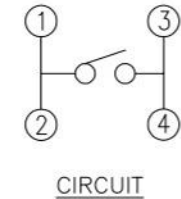
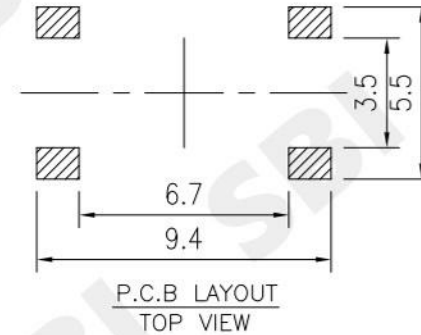
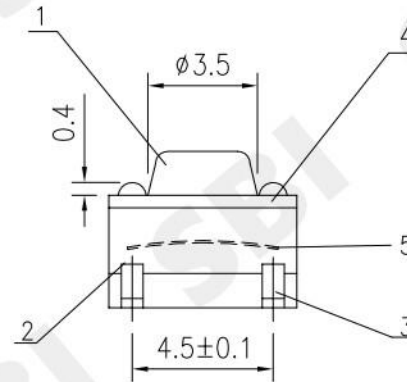
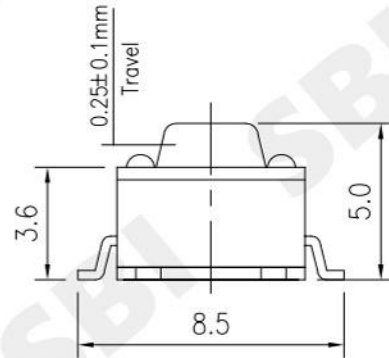
RoHS
Compliant

SYMBOL	REVISION	APPROVAL	DATE



SPECIFICATIONS

- ELECTRICAL CHARACTERISTICS:
 - 1-1.RATING: DC 12V 50mA
 - 1-2.CONTACT RESISTANCE: 100mΩ MAX(INITAL)
 - 1-3.DIELECTRIC WITHSTANDING VOLTAGE: 250V AC FOR ONE MINUTE
 - 1-4.INSULATION RESISTANCE: 100MΩ MIN,MEASURED BY 500V DC
- MECHANICAL PERFORMANCE
 - 2.1.OPERATING FORCE :160±50gf;250±80gf
- LIFE TEST
 - 3.1.3-1.ELECTRONICS LIFE TEST 100,000 CYCLES.



NO.	PARTS	MATERIAL	QTY.	FINISHING
5	CONTACT	SUS	1	Aq CLAD
4	COVER	SPCC	1	Ni PLATED
3	TERMINAL	C2680	4	Aq PLATED
2	CASE	PPA	1	BLACK
1	KNOB	PPA	1	BLACK

SMART BILLION INDUSTRIAL LIMITED

COPYRIGHT RESERVED,PLEASE DO NOT COPY.

PART NAME		TACT SWITCH		DRAWING	Z.L.Liang	DWG.No.	
PART NO.		TS-1150S-160		CHECK	G.C.Chen	REV.	A
UNIT: mm	TOLERANCE UNLESS OTHERWISE SPECIFIED	UP TO 5	±0.2	ANGLE	APPROVAL	DATE	2018-08-01
		ABOVE 5~30	±0.3			SCALE	PAGE
		ABOVE 30	±0.5	0°±3'			
		ANGLE	±3'				

F

E

D

C

B

A