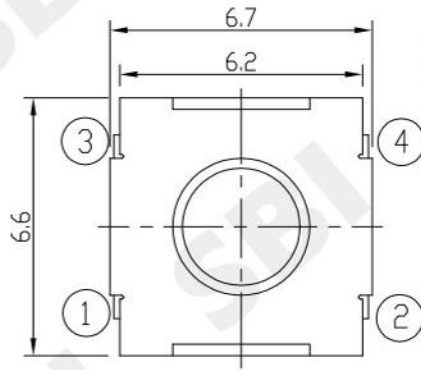


RoHS  
Compliant

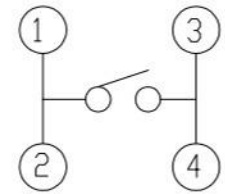
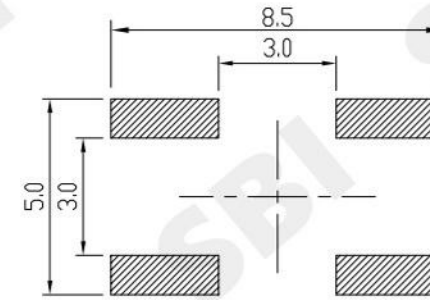
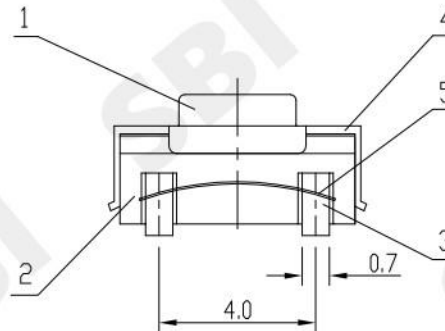
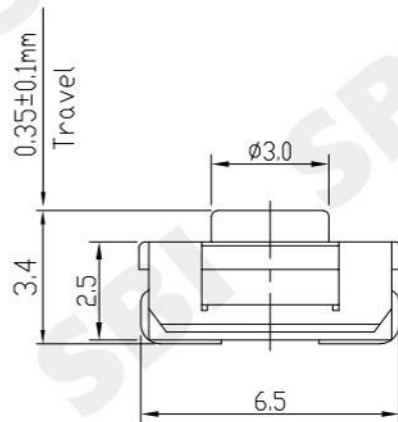
SYMBOL	REVISION	APPROVAL	DATE

**SPECIFICATIONS**

- ELECTRICAL CHARACTERISTICS:
  - 1-1.RATING: DC 12V 50mA
  - 1-2.CONTACT RESISTANCE: 100mΩ MAX(INITAL)
  - 1-3.DIELECTRIC WITHSTANDING VOLTAGE: 250V AC FOR ONE MINUTE
  - 1-4.INSULATION RESISTANCE: 100MΩ MIN,MEASURED BY 500V DC
- MECHANICAL PERFORMANCE
  - 2.1.OPERATING FORCE :180±30gf;200±50gf;250±100gf;350±100gf
- LIFE TEST
  - 3.1.3-1.ELECTRONICS LIFE TEST 100,000 CYCLES.



PART NO.	Knob Lengh(L)	FORCE(gf)
TS-1231S	3.1	180
TS-1234N	3.4	200
TS-1251N	5.1	250
		350



P.C.B LAYOUT  
TOP VIEW

SCHEMATIC

NO.	PARTS	MATERIAL	QTY.	FINISHING
5	DOME	SUS	1	Ag CLAD
4	COVER	SUS	1	Ni PLATED
3	TERMINAL	BRASS STRIP	4	Ag PLATED
2	CASE	NYLON	1	BLACK
1	KNOB	RUBBER	1	BLUE

**SMART BILLION INDUSTRIAL LIMITED**

COPYRIGHT RESERVED,PLEASE DO NOT COPY.

PART NAME		TACT SWITCH		DRAWING	Z.L.Liang	DWG.No.	SBT81
PART NO.		TS-1234N-180-BK-TR		CHECK	G.C.Chen	REV.	A
	UNIT :	TOLERANCE UNLESS OTHERWISE SPECIFIED UP TO 5 ±0.2 ABOVE 5~30 ±0.3 ABOVE 30 ±0.5 ANGLE ±3°	ANGLE	APPROVAL		DATE	2019-11-12
	mm		SCALE	1:1	PAGE	1 OF 1	