

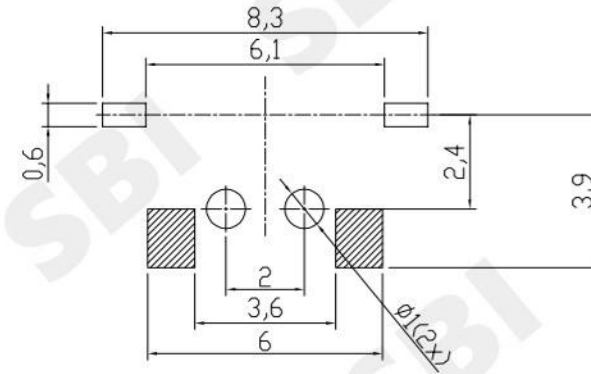
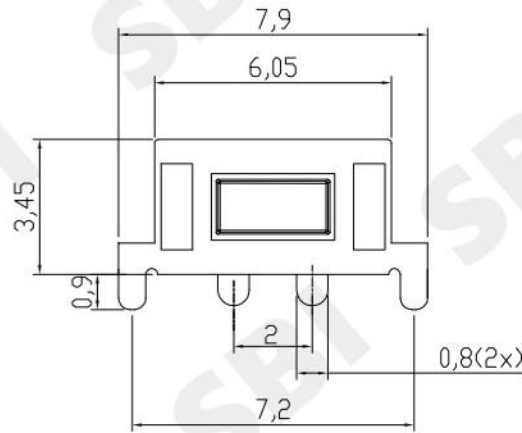
RoHS
Compliant

Part Number	H
TS-1138H-E-H43	4.3
TS-1138H-E-H50	5.0
TS-1138H-E-H60	6.0

SYMBOL	REVISION	APPROVAL	DATE

SPECIFICATIONS

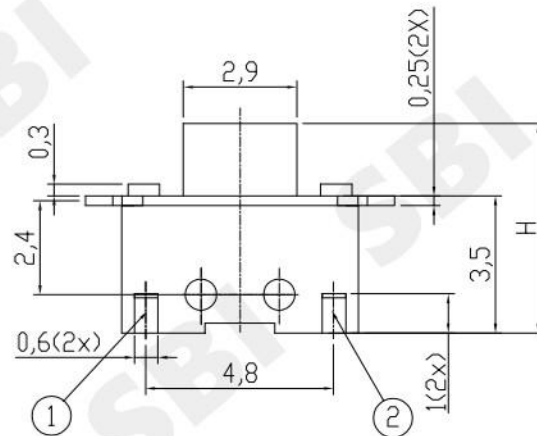
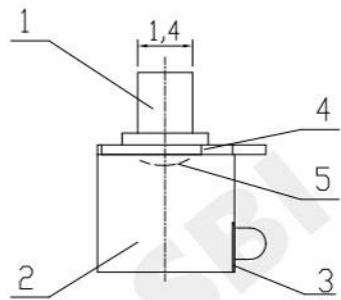
1. ELECTRICAL CHARACTERISTICS:
 - 1-1.RATING: DC 12V 50mA
 - 1-2.CONTACT RESISTANCE: 100mΩ MAX(INITAL)
 - 1-3.DIELECTRIC WITHSTANDING VOLTAGE: 250V AC FOR ONE MINUTE
 - 1-4.INSULATION RESISTANCE: 100MΩ MIN,MEASURED BY 500V DC
2. MECHANICAL PERFORMANCE
 - 2.1.OPERATING FORCE :180±30gf
3. LIFE TEST
 - 3.1.3-1.ELECTRONICS LIFE TEST 50,000 CYCLES.



P.C.B LAYOUT
TOP VIEW



CIRCUIT



NO.	PARTS	MATERIAL	QTY.	FINISHING
5	DOME	SUS	1	Ag CLAD
4	COVER	SPCC	1	Ni PLATED
3	TERMINAL	C2680	2	Ag PLATED
2	CASE	PPA	1	BLACK
1	KNOB	PPA	1	WHITE

SMART BILLION INDUSTRIAL LIMITED

COPYRIGHT RESERVED,PLEASE DO NOT COPY.

PART NAME		TACT SWITCH		DRAWING		Z.L.Liang		DWG.No.		SBT12	
PART NO.		TS-1138H-E-H50-180-TR		CHECK		G.C.Chen		REV.		A0	
UNIT: mm	TOLERANCE UNLESS OTHERWISE SPECIFIED	UP TO 5	±0.2	ANGLE	APPROVAL	SCALE	1:1	DATE	10-MAR-2020		
		ABOVE 5~30	±0.3						PAGE	1 OF 1	
		ABOVE 30	±0.5								
		ANGLE	±3°								