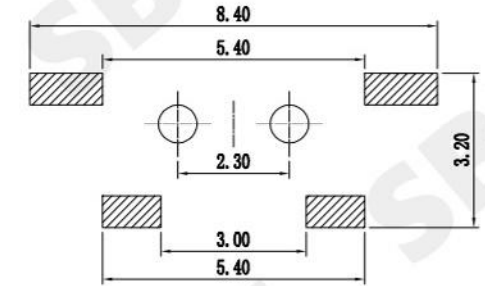
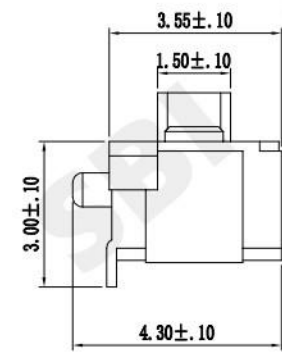
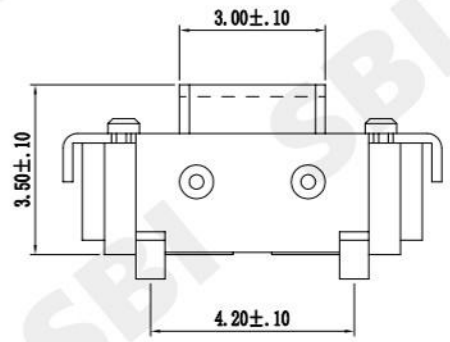
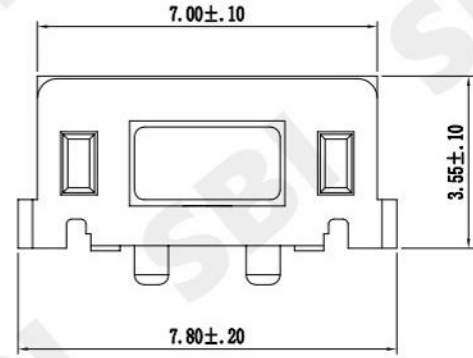


RoHS  
Compliant

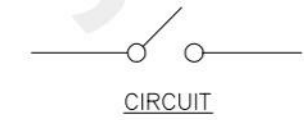
SYMBOL	REVISION	APPROVAL	DATE

SPECIFICATIONS

1. ELECTRICAL CHARACTERISTICS:
  - 1-1.RATING: DC 12V 50mA
  - 1-2.CONTACT RESISTANCE: 100mΩ MAX(INITAL)
  - 1-3.DIELECTRIC WITHSTANDING VOLTAGE: 250V AC FOR ONE MINUTE
  - 1-4.INSULATION RESISTANCE: 100MΩ MIN,MEASURED BY 500V DC
2. MECHANICAL PERFORMANCE
  - 2-1.OPERATING FORCE :260±50gf
3. LIFE TEST
  - 3-1.ELECTRONICS LIFE TEST 50,000 CYCLES.



P.C.B LAYOUT  
TOP VIEW



NO.	PARTS	MATERIAL	QTY.	FINISHING
5	COVER	C2680	1	Tim PLATED
4	KNOB	PPA	1	BLACK
3	DOME	SUS	1	Ag CLAD
2	CASE	PPA	1	WHITE
1	TERMINAL	C2680	1	Ag PLATED

SMART BILLION INDUSTRIAL LIMITED

PART NAME		TACT SWITCH		DRAWING	Z.L.Liang	DWG.No.	
PART NO.		TS-1135HS-E-260-TR		CHECK	G.C.Chen	REV.	A
UNIT: mm	TOLERANCE UNLESS OTHERWISE SPECIFIED	UP TO 5	±0.2	ANGLE	APPROVAL	DATE	2020-03-09
		ABOVE 5~30	±0.3			SCALE	PAGE
		ABOVE 30	±0.5				
		ANGLE	±3°				

COPYRIGHT RESERVED,PLEASE DO NOT COPY.