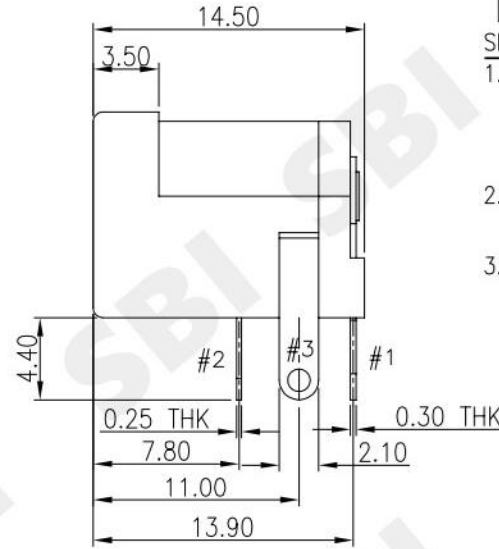
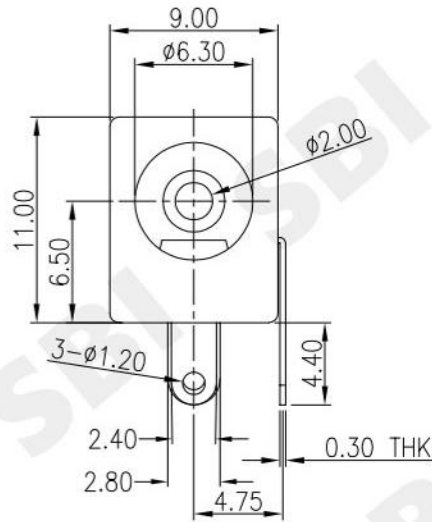
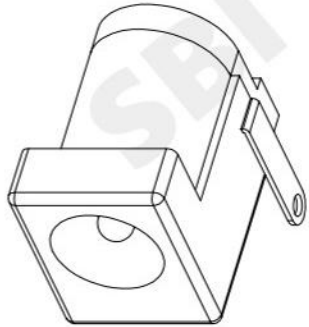
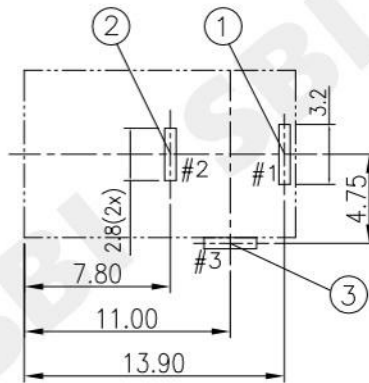


RoHS  
Compliant

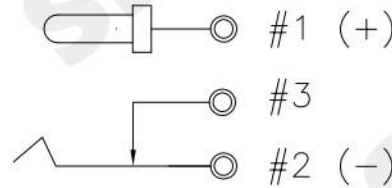


SPECIFICATIONS

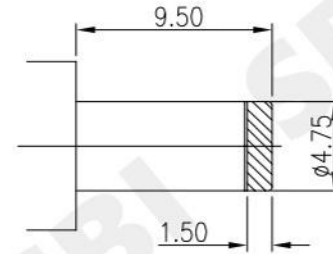
1. ELECTRICAL CHARACTERISTICS:
  - 1-1.RATING: DC 12V 5A
  - 1-2.CONTACT RESISTANCE: 30mΩ MAX(INITAL)
  - 1-3.DIELECTRIC WITHSTANDING VOLTAGE: 500V AC FOR ONE MINUTE
  - 1-4.INSULATION RESISTANCE: 100MΩ MIN,MEASURED BY 500V DC
2. MECHANICAL CHARACTERISTICS:
  - 2-1.INSERTION FORCE: 0.5KG-3.0KG
  - 2-2.WITHDRAWAL FORCE: 0.5KG-3.0KG
3. LIFE TEST:5,000 CYCLES MIN



P.C.B LAYOUT  
TOP VIEW



CIRCUIT



MATE PLUG

NO.	PARTS	MATERIAL	QTY.	FINISHING
6	SPRING TERMINAL	C5210	1	Ag PLATED
5	PLUG PIN	C2680	1	Ni PLATED
4	CONTACT	C2680	1	Ag PLATED
3	TERMINAL	C2680	1	Ag PLATED
2	COVER	PBT	1	BLACK
1	CASE	PBT	1	BLACK

SMART BILLION INDUSTRIAL LIMITED

COPYRIGHT RESERVED,PLEASE DO NOT COPY.

PART NAME		DC POWER JACK		DRAWING		Z.L.Liang		DWG.No.	
PART NO.		DS-210-20-059		CHECK		G.C.Chen		REV. A	
UNIT :		TOLERANCE UNLESS OTHERWISE SPECIFIED		ANGLE		APPROVAL		DATE	
mm		UP TO 5	±0.2	ANGLE	SCALE		DATE		2019-Aug-10
		ABOVE 5 ~30	±0.3	0°±3'	1:1		PAGE		1 OF 1
		ABOVE 30	±0.5						
		ANGLE	±3'						