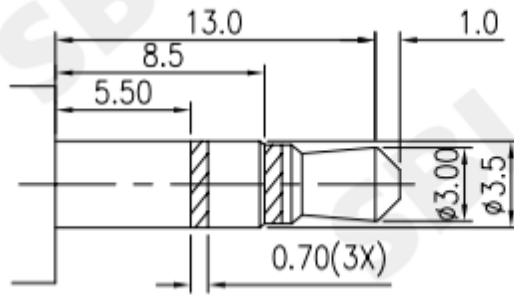
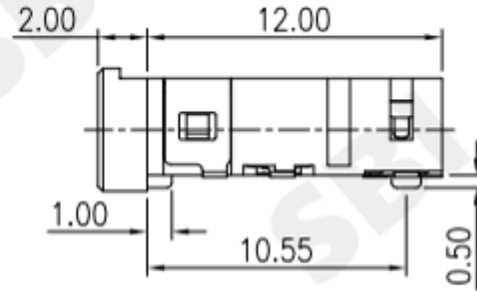
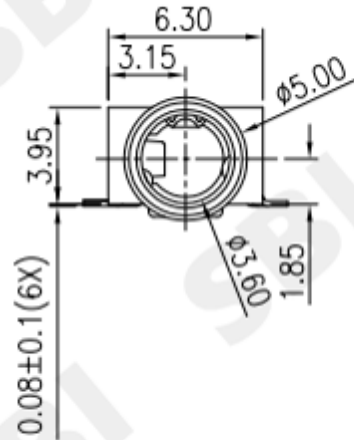


RoHS
Compliant

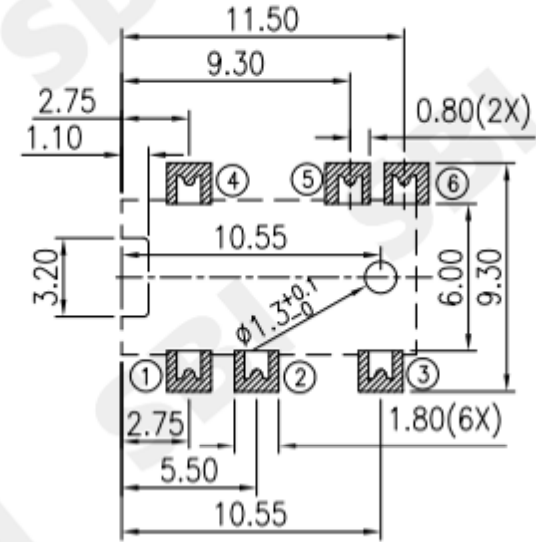
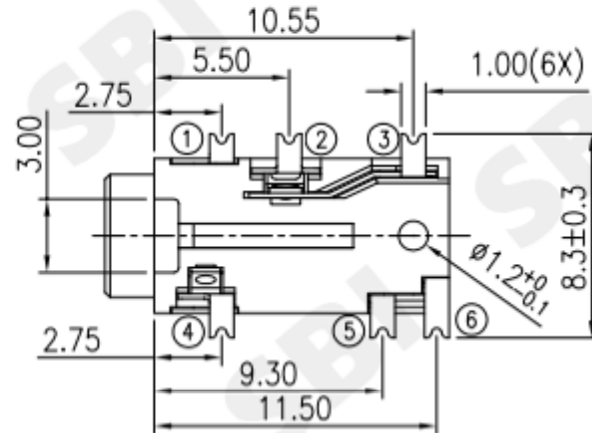
SYMBOL	REVISION	APPROVAL	DATE

SPECIFICATIONS

- ELECTRICAL CHARACTERISTICS:
 - 1-RATING: DC 12V 1A
 - 2.CONTACT RESISTANCE: 30mΩ MAX(INITAL)
 - 3.DIELECTRIC WITHSTANDING VOL TAGE: 500V AC FOR ONE MINUTE
 - 4.INSULATION RESISTANCE: 100MΩ MIN,MEASURED BY 500V DC
- MECHANICAL CHARACTERISTICS:
 - 1.INSERTION FORCE: INITIAL:0.3KG-2.0KG;AFTER LIFE:0.3KG-2.0KG.
 - 2.WITHDRAWAL FORCE: INITIAL:0.3KG-2.0KG;AFTER LIFE:0.3KG-2.0KG.
- LIFE TEST:5,000 CYCLES MIN



MATE PLUG



P.C.B LAYOUT
BOTTOM VIEW

MODEL NO.	ST-3548S	ST-3548-5S	ST-3548-5S-L	ST-3548-5S-R	ST-3548-4S
SCHEMATIC					

NO.	PARTS	MATERIAL	QTY.	FINISHING
4	TERMINAL 2	BeCu	1	Au PLATED
3	TERMINAL 1,4,5	C5210	3	Au PLATED
2	TERMINAL 3,6	C2680	2	Au PLATED
1	HOUSING	LCP	1	BLACK

SMART BILLION INDUSTRIAL LIMITED

COPYRIGHT RESERVED,PLEASE DO NOT COPY.

PART NAME		PHONE JACK (SMD)		DRAWING	Z.L.Liang	DWG.No.	
PART NO.		ST-3548S		CHECK	G.C.Chen	REV.	A0
UNIT : mm	TOLERANCE UNLESS OTHERWISE SPECIFIED	UP TO 5	±0.2	APPROVAL	G.C.Chen	DATE	2020/06/05
		ABOVE 5~30	±0.3			SCALE	1:1
		ABOVE 30	±0.5				
		ANGLE	±3°				