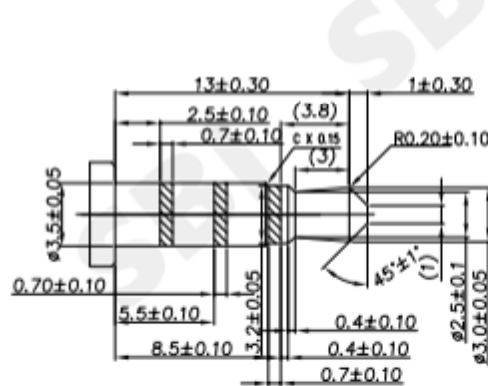
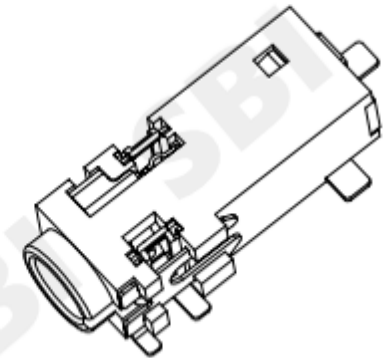
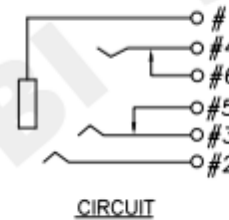
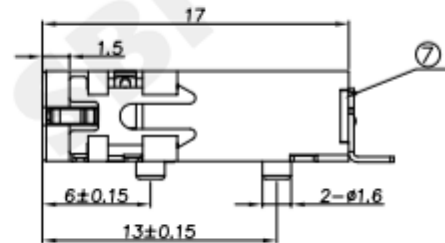
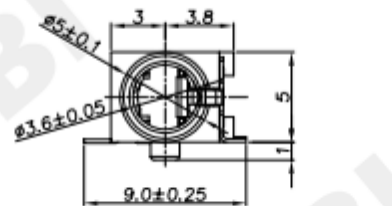
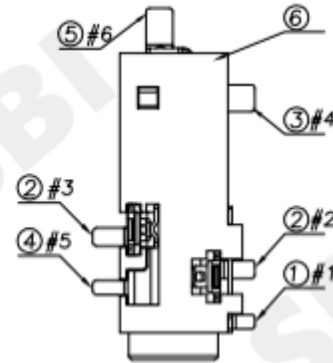
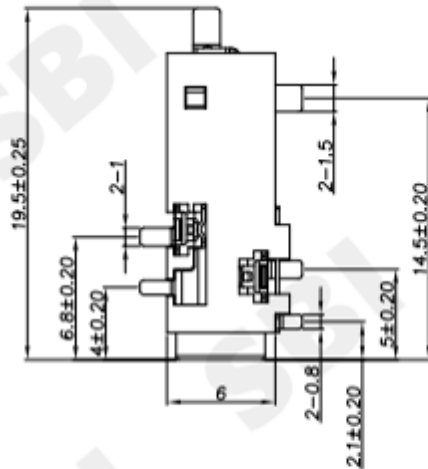


RoHS  
Compliant

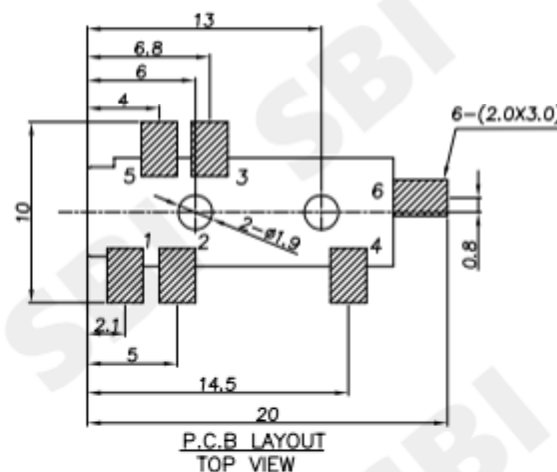
SYMBOL	REVISION	APPROVAL	DATE

**SPECIFICATIONS**

- ELECTRICAL CHARACTERISTICS:
  - 1-1.RATING: DC 12V 1A
  - 1-2.CONTACT RESISTANCE: 30mΩ MAX(INITAL)
  - 1-3.DIELECTRIC WITHSTANDING VOLTAGE: 500V AC FOR ONE MINUTE
  - 1-4.INSULATION RESISTANCE: 100MΩ MIN,MEASURED BY 500V DC
- MECHANICAL CHARACTERISTICS:
  - 2-1.INSERTION FORCE: 0.5Kgf-3.0Kgf;
  - 2-2.WITHDRAWAL FORCE: 0.5Kgf-3.0Kgf;
- LIFE TEST:5,000 CYCLES MIN
- PACKING: TAPE & REEL



ø3.50mm 4 POLE PLUG DETAIL DRAWING



7	COVER	PA-9T	1	BLACK
6	HOUSING	PA-9T	1	BLACK
5	TERMINAL #6	C2680	1	Ag Plated
4	TERMINAL #5	C5210	1	Ag Plated
3	TERMINAL #4	C5210	1	Ag Plated
2	TERMINAL #2#3	C5210	2	Ag Plated
1	TERMINAL #1	C5210	1	Ag Plated
NO.	PARTS	MATERIAL	QTY.	FINISHING

**SMART BILLION INDUSTRIAL LIMITED**

COPYRIGHT RESERVED,PLEASE DO NOT COPY.

PART NAME		AUDIO JACK		DRAWING	Z.L.Liang	DWG.No.	
PART NO.		ST-3601S-TR		CHECK	G.C.Chen	REV.	A0
UNIT : mm	TOLERANCE UNLESS OTHERWISE SPECIFIED	UP TO 5	±0.2	ANGLE	APPROVAL	G.C.Chen	DATE
		ABOVE 5 ~30	±0.3				
		ABOVE 30	±0.5	0°±3'	SCALE	1:1	PAGE
		ANGLE	±3'				1 OF 1

F

E

D

C

B

A