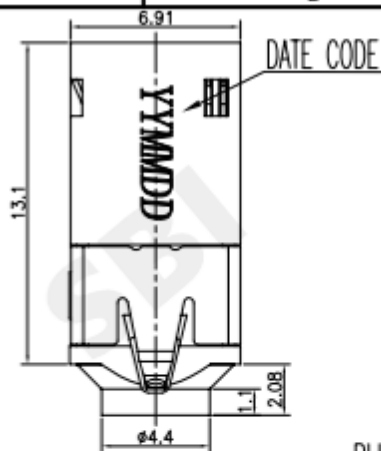
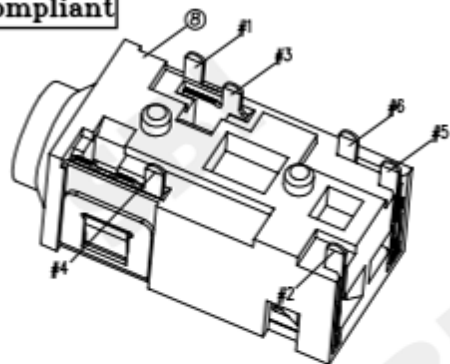


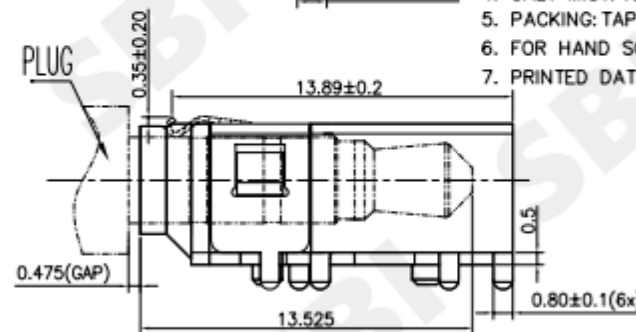
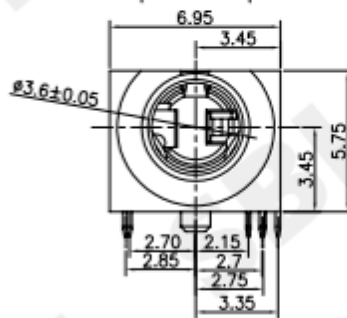
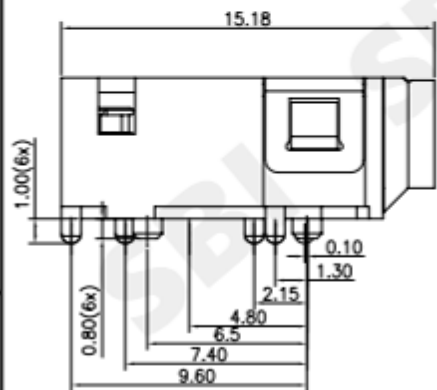
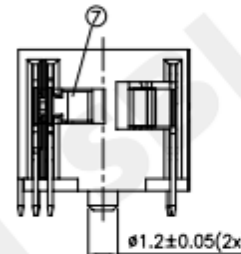
RoHS  
Compliant



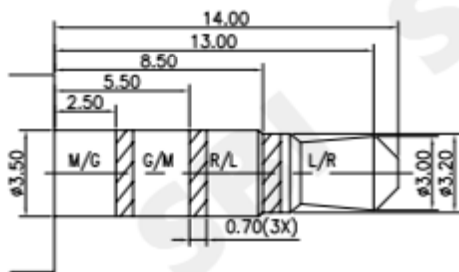
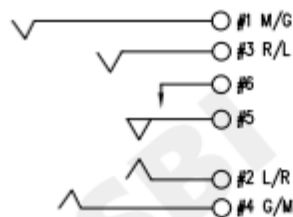
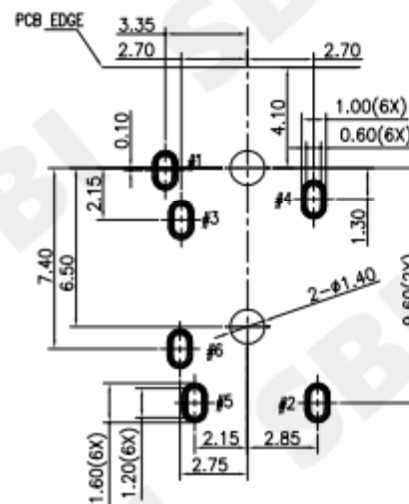
SYMBOL	REV.	REVISION	APPROVAL	DATE

**SPECIFICATIONS**

- ELECTRICAL CHARACTERISTICS:
  - 1-1.RATING: DC 12V 1A
  - 1-2.CONTACT RESISTANCE: 30mΩ MAX(INITIAL)
  - 1-3.DIELECTRIC WITHSTANDING VOL TAGE: 500V AC FOR ONE MINUTE
  - 1-4.INSULATION RESISTANCE: 100MΩ MIN,MEASURED BY 500V DC
- MECHANICAL CHARACTERISTICS:
  - 2-1.INSERTION FORCE: INITIAL: 0.5KG-2.2KG; AFTER LIFE: 0.4KG-2.2KG.
  - 2-2.WITHDRAWAL FORCE: INITIAL: 0.5KG-2.0KG; AFTER LIFE: 0.4KG-2.0KG.
- LIFE TEST: 5,000 CYCLES MIN
- SALT MIST: 48HOURS
- PACKING: TAPE & REEL
- FOR HAND SOLDERING LEAD FREE PROCESS
- PRINTED DATE CODE\*YY MM DD ON TOP OF CONNECTOR



YY MM DD  
 DD: DAY  
 MM: MONTH  
 YY: YEAR



MATING PLUG

SCHEMATIC

P.C.B LAYOUT  
TOP VIEW

8	HOUSING	PPA UL 94V0	BLACK
7	INSULATOR	PPA UL 94V0	BLACK
6	TERMINAL #6	C5210	G/F Au PLATED
5	TERMINAL #5	C5210	G/F Au PLATED
4	TERMINAL #4	C5210	G/F Au PLATED
3	TERMINAL #3	C5210	G/F Au PLATED
2	TERMINAL #2	C5210	G/F Au PLATED
1	TERMINAL #1	C5210	G/F Au PLATED
No.	DESCRIPTION	MATERIAL	PLATING

SMART BILLION INDUSTRIAL LIMITED

COPYRIGHT RESERVED,PLEASE DO NOT COPY.

PART NAME	STEREO JACK (4 POLES)		DRAWING	Z.L.Liang	DWG.No.	
PART NO.	ST-3585		CHECK	G.C.Chen	REV.	A0
UNIT:	TOLERANCE UNLESS	X ± 0.3	ANGLE	G.C.Chen	DATE	2019/06/25
mm	OTHERWISE SPECIFIED	X.X ± 0.25	±2'	SCALE	PAGE	1 OF 1
		X.XX ± 0.2		1:1		