

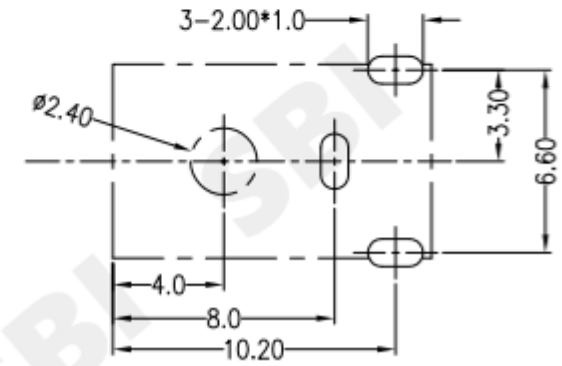
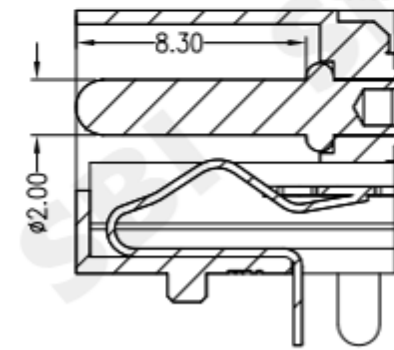
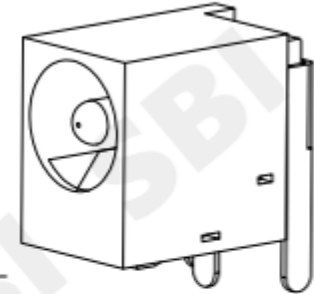
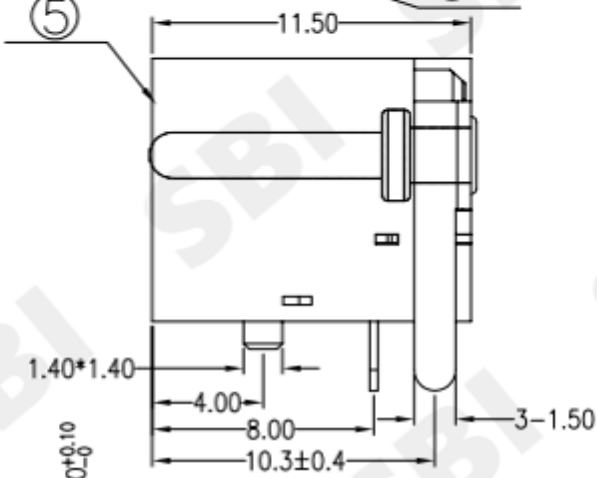
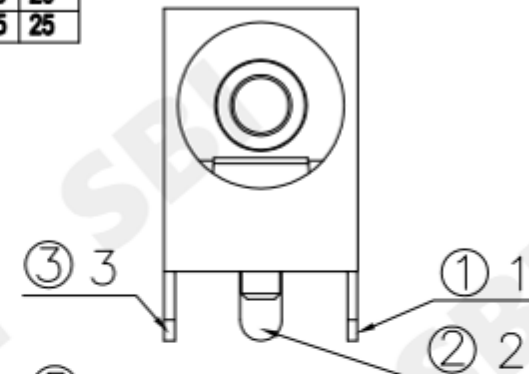
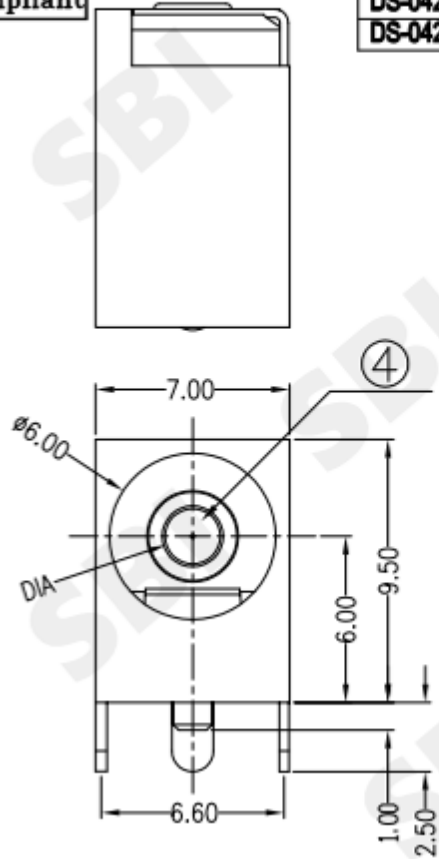
RoHS  
Compliant

PART NO.	DIA.
DS-042-20	20
DS-042-25	25

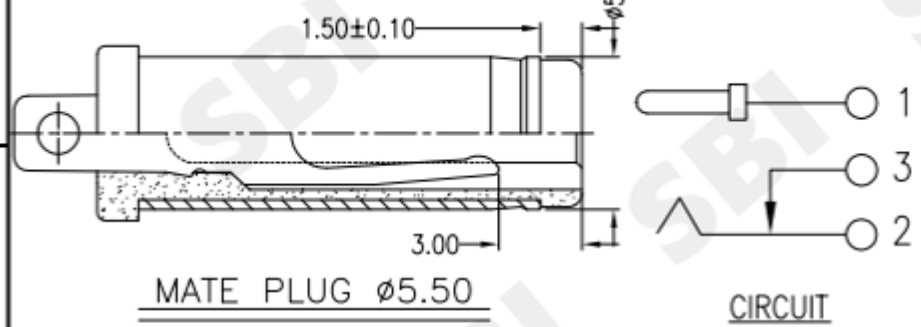
SYMBOL	REVISION	APPROVAL	DATE

**SPECIFICATIONS**

- ELECTRICAL CHARACTERISTICS:
  - 1-1.RATING: DC 6A 24V
  - 1-2.CONTACT RESISTANCE: 30mΩ MAX(INITAL)
  - 1-3.DIELECTRIC WITHSTANDING VOLTAGE: 500V AC FOR ONE MINUTE
  - 1-4.INSULATION RESISTANCE: 100MΩ MIN, MEASURED BY 500V DC
- MECHANICAL PERFORMANCE
  - 2.1.INSERTION FORCE :0.3-3.0kgf
  - 2.2.WITHDRAWAL FORCE :0.3-3.0kgf
- LIFE TEST
  - 3.1.3-1.ELECTRONICS LIFE TEST 5,000 CYCLES.



P.C.B LAYOUT  
TOP VIEW



5	HOUSING	PA9T UL94-V0	1	BLACK
4	PIN	C3604	1	20u"Sn PLATED OVER 50u" Ni
3	TERMINAL3	C2680-H	1	20u"Ag PLATED OVER 50u" Ni
2	TERMINAL2	C5210-H	1	20u"Ag PLATED OVER 50u" Ni
1	TERMINAL1	C2680-H	1	20u"Ag PLATED OVER 50u" Ni
NO.	PARTS	MATERIAL	QTY.	FINISHING

**SMART BILLION INDUSTRIAL LIMITED**

PART NAME	DC POWER JACK	DRAWING	Z.L.Liang	DWG.No.	
PART NO.	DS-042-20-TR	CHECK	G.C.Chen	REV.	A0
UNIT : mm	TOLERANCE UNLESS OTHERWISE SPECIFIED	ANGLE	G.C.Chen	DATE	2020/07/03
	XX ± 0.3 XXX ± 0.2 XXXX ± 0.1	0±3	SCALE	1:1	PAGE 1 OF 1

COPYRIGHT RESERVED,PLEASE DO NOT COPY.