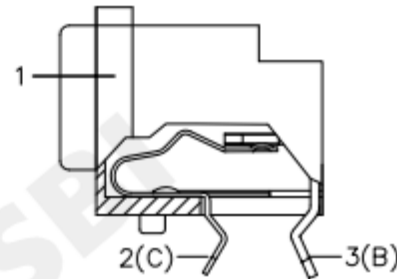
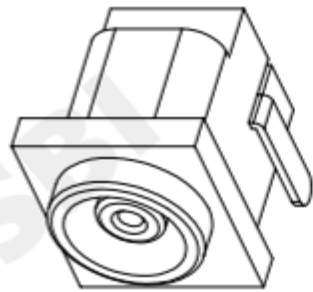


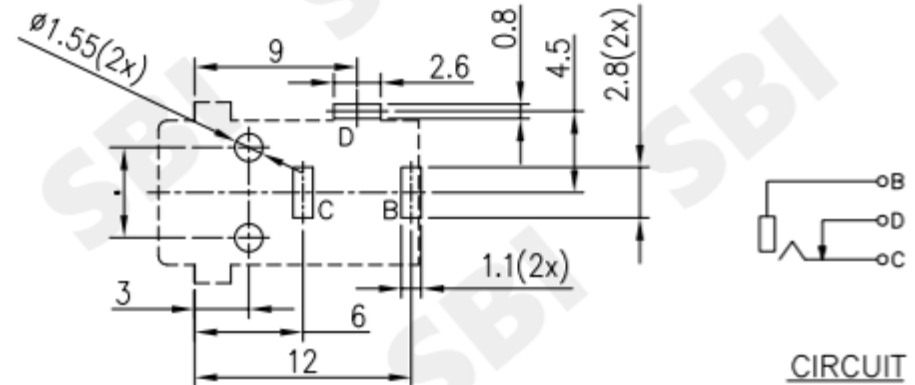
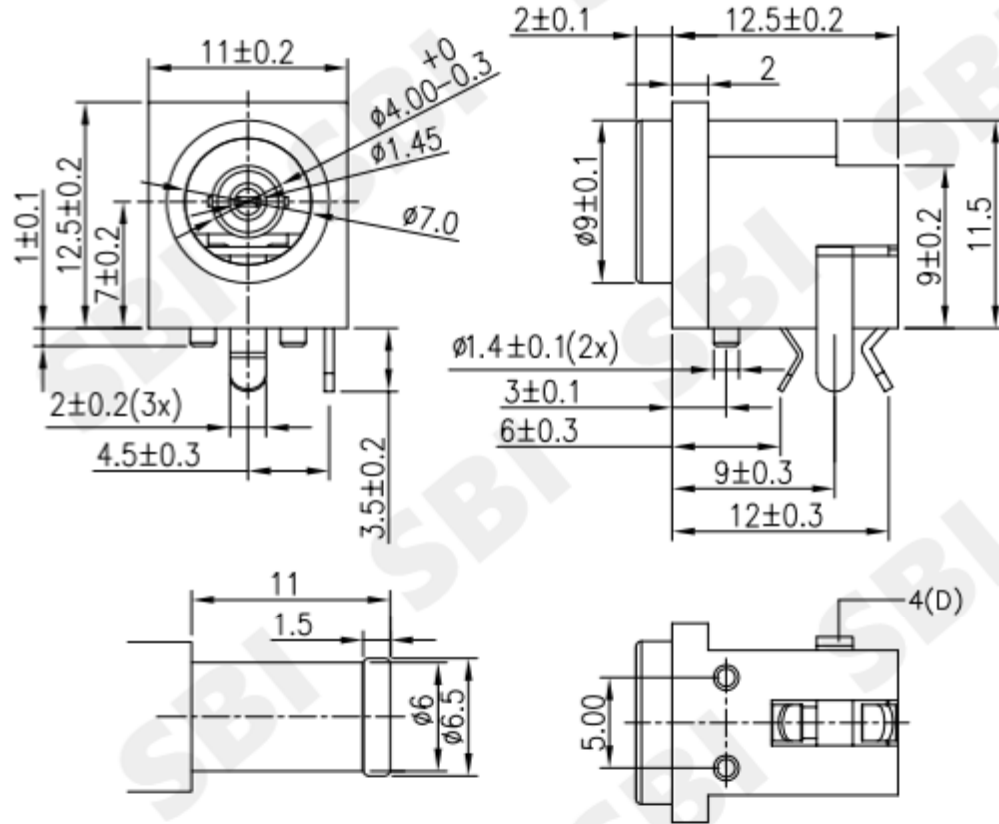
RoHS
Compliant

SYMBOL	REVISION	APPROVAL	DATE



SPECIFICATIONS

1. ELECTRICAL CHARACTERISTICS:
 - 1-1. RATING: DC 5A 20V
 - 1-2. CONTACT RESISTANCE: 30mΩ MAX(INITAL)
 - 1-3. DIELECTRIC WITHSTANDING VOL TAGE: 500V AC FOR ONE MINUTE
 - 1-4. INSULATION RESISTANCE: 100MΩ MIN, MEASURED BY 500V DC
2. MECHANICAL PERFORMANCE
 - 2.1. OPERATING FORCE :0.5-3.0kgf
3. LIFE TEST
 - 3.1.3-1. ELECTRONICS LIFE TEST 5,000 CYCLES.



4	BREAK TERMINAL	BRASS	1	Ag PLATED
3	SLEEVE TERMINAL	ALLOY SPRING	1	Ag PLATED
2	EARTH TERMINAL	BRASS	1	Ag PLATED
1	HOUSING	PBT	1	BLACK
NO.	PARTS	MATERIAL	QTY.	FINISHING

SMART BILLION INDUSTRIAL LIMITED

COPYRIGHT RESERVED, PLEASE DO NOT COPY.

PART NAME		DC POWER JACK		DRAWING		Z.L.Liang		DWG.No.	
PART NO.		DS-232-15		CHECK		G.C.Chen		REV. A0	
UNIT : mm	TOLERANCE UNLESS OTHERWISE SPECIFIED	UP TO 5	±0.2	ANGLE	APPROVAL	G.C.Chen	DATE	2020/11/5	PAGE
		ABOVE 5 ~ 30	±0.3						
		ABOVE 30	±0.5	0°±3'	SCALE	1:1	PAGE	1 OF 1	