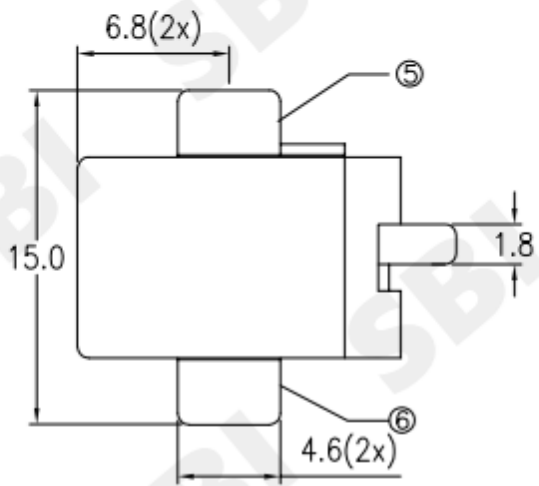
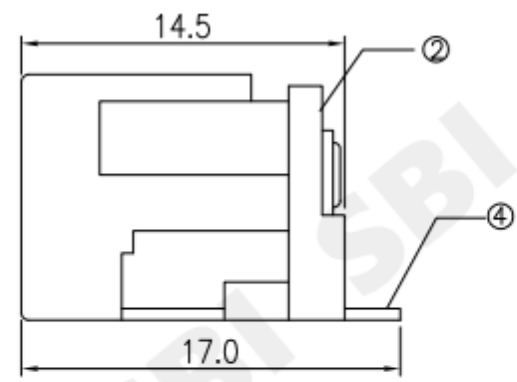
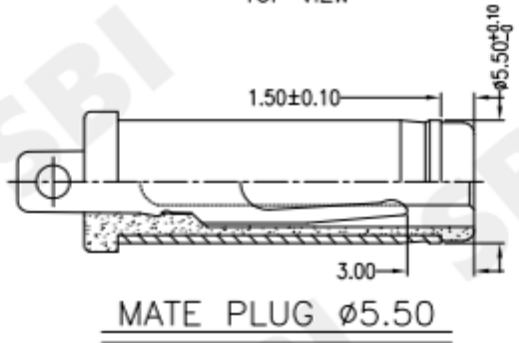
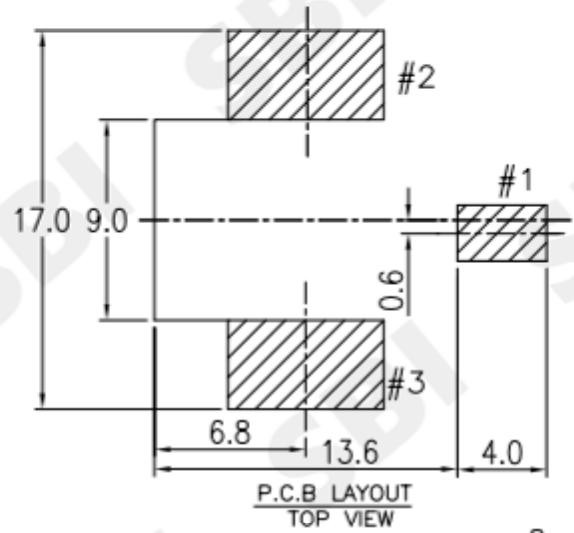
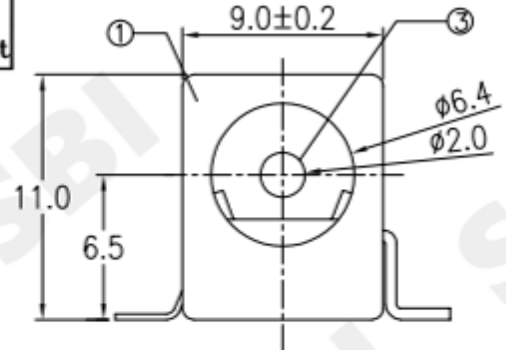


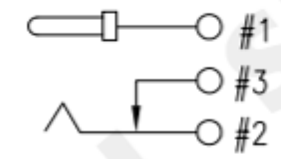
RoHS
Compliant



SYMBOL	REVISION	APPROVAL	DATE

SPECIFICATIONS

- ELECTRICAL CHARACTERISTICS:
 - 1-1.RATING: DC 5A 12V
 - 1-2.CONTACT RESISTANCE: 30mΩ MAX(INITAL)
 - 1-3.DIELECTRIC WITHSTANDING VOLTAGE: 500V AC FOR ONE MINUTE
 - 1-4.INSULATION RESISTANCE: 100MΩ MIN, MEASURED BY 500V DC
- MECHANICAL PERFORMANCE
 - 2.1.INSERTION FORCE :0.3-3.0kgf
 - 2.2.WITHDRAWAL FORCE :0.3-3.0kgf
- LIFE TEST
 - 3.1.3-1.ELECTRONICS LIFE TEST 5,000 CYCLES.



CIRCUIT

6	TERMINAL #2	C5210-H	1	20u"Ag PLATED OVER 50u" Ni
5	TERMINAL #3	C2680-H	1	20u"Ag PLATED OVER 50u" Ni
4	TERMINAL #1	C2680-H	1	20u"Ag PLATED OVER 50u" Ni
3	PIN	C3604	1	50u" Ni PLATED
2	COVER	PA9T UL94-V0	1	BLACK
1	HOUSING	PA9T UL94-V0	1	BLACK
NO.	PARTS	MATERIAL	QTY.	FINISHING

SMART BILLION INDUSTRIAL LIMITED

COPYRIGHT RESERVED,PLEASE DO NOT COPY.

PART NAME		DC POWER JACK		DRAWING		Z.L.Liang		DWG.No.	
PART NO.		DS-212S-20-TR		CHECK		G.C.Chen		REV. A0	
UNIT : mm	TOLERANCE UNLESS OTHERWISE SPECIFIED	XX ± 0.3 X.XX ± 0.2 X.XXX ± 0.1	ANGLE 0°±3'	APPROVAL		G.C.Chen		DATE 2020/06/03	
				SCALE		1:1		PAGE 1 OF 1	

F E D C B A