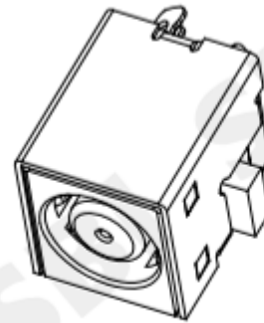
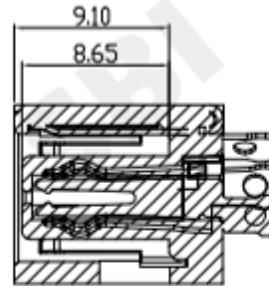
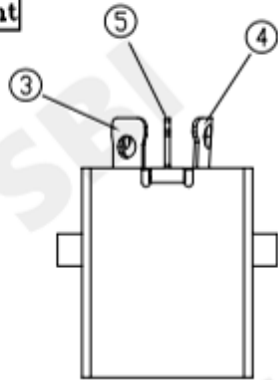


RoHS
Compliant

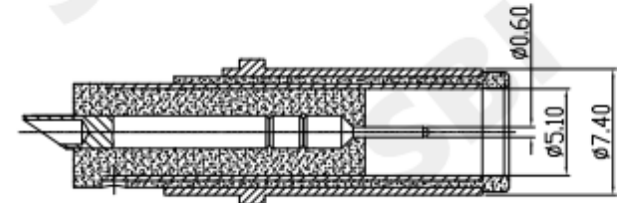
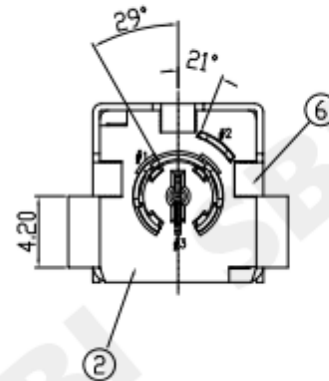
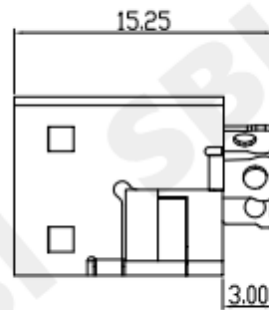
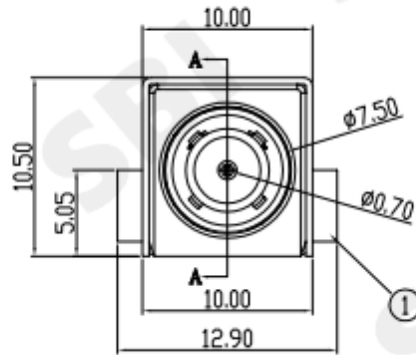
SYMBOL	REV.	REVISION	APPROVAL	DATE

SPECIFICATIONS

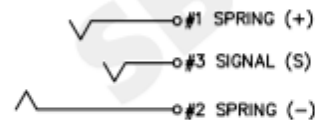
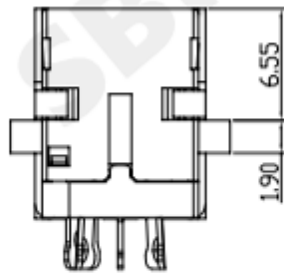
1. ELECTRICAL CHARACTERISTICS:
 - 1-1.RATING: DC 8A 24V
 - 1-2.CONTACT RESISTANCE: 30mΩ MAX(INITAL)
 - 1-3.DIELECTRIC WITHSTANDING VOLTAGE: 500V AC FOR ONE MINUTE
 - 1-4.INSULATION RESISTANCE: 100MΩ MIN,MEASURED BY 500V DC
2. MECHANICAL PERFORMANCE
 - 2.1.OPERATING FORCE :0.5-3.0kgf
3. LIFE TEST
 - 3.1.ELECTRONICS LIFE TEST 5,000 CYCLES.
4. MEASURING CONDITION:
 - 4.1.TEMPERATURE:FROM 5°C TO 35°C.
 - 4.2.RELATIVE HUMIDITY:FROM 45% TO 85%RH .
5. ENVIRONMENTAL SPECIFICATIONS:
 - 5.1.HUMIDITY TEST:HUMIDITY 90% TO 95% TEMPERATURE 40±2°C FOR 96 HOURS.
 - 5.2.HEAT TEST:TEMPERATURE 80±2°C (HUMIDITY BELOW 50%)
 - 5.3.COLD TEST:TEMPERATURE -40±2°C FOR 96 HOURS.



A-A SECTION
1:1



MATING PLUG (TOLERANCE:±0.05)



SCHEMATIC

No.	DESCRIPTION	MATERIAL	QTY.	PLATING
6	SHELL	C2680	1	NI PLATED
5	SIGNAL (S)	C5210	1	Au PLATED
4	SPRING (+)	C5210	1	Au PLATED
3	SPRING (-)	C5210	1	Au PLATED
2	COVER	PPA	1	BLACK
1	HOUSING	PPA	1	BLACK

SMART BILLION INDUSTRIAL LIMITED

COPYRIGHT RESERVED,PLEASE DO NOT COPY.

PART NAME		DC POWER JACK		DRAWING	Z.L.Liang	DWG.No.
PART NO.		DS-128		CHECK	G.C.Chen	REV.
UNIT :		TOLERANCE UNLESS OTHERWISE SPECIFIED	X.X ± 0.3	ANGLE	G.C.Chen	DATE
mm			X.XX ± 0.2	±2'		2021/03/16
			X.XXX ± 0.1	SCALE	1:1	PAGE
						1 OF 1