

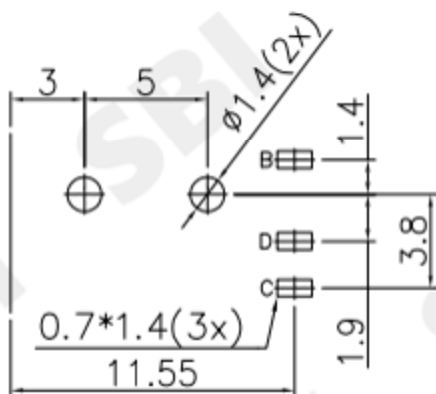
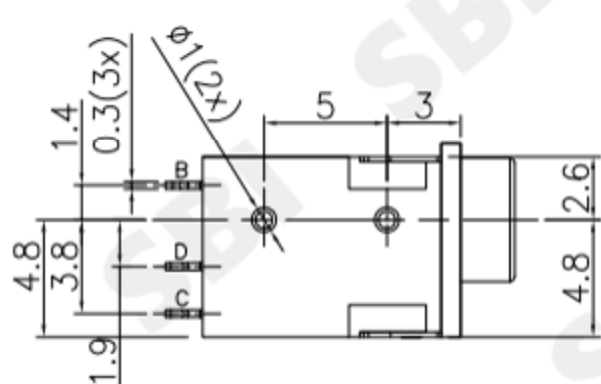
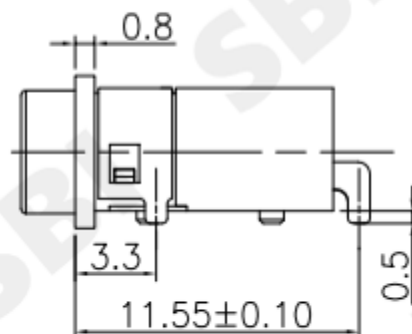
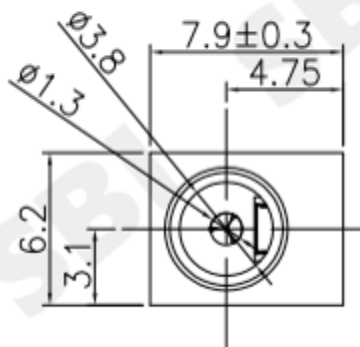
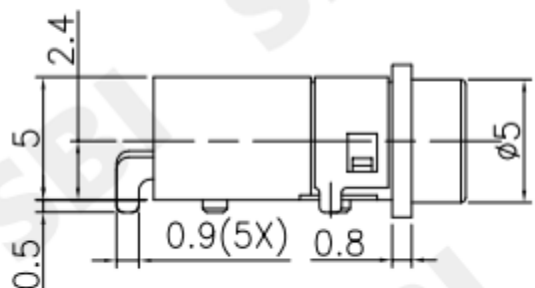
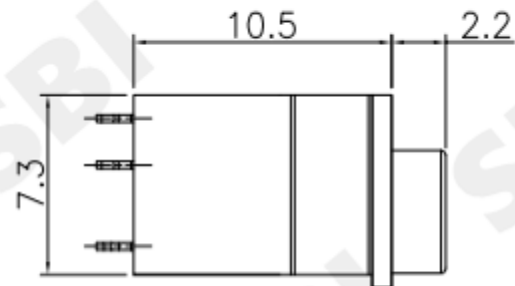
RoHS
Compliant

SYMBOL	REV.	REVISION	APPROVAL	DATE

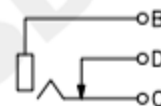


SPECIFICATIONS

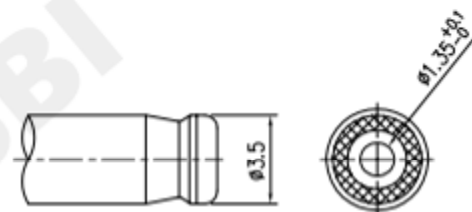
- ELECTRICAL CHARACTERISTICS:
 - 1-1.RATING: DC 3A 12V
 - 1-2.CONTACT RESISTANCE: 30mΩ MAX(INITAL)
 - 1-3.DIELECTRIC WITHSTANDING VOL TAGE: 500V AC FOR ONE MINUTE
 - 1-4.INSULATION RESISTANCE: 100MΩ MIN,MEASURED BY 500V DC
- MECHANICAL PERFORMANCE
 - 2.1.OPERATING FORCE :0.5-2.0kgf
- LIFE TEST
 - 3.1.3-1.ELECTRONICS LIFE TEST 5,000 CYCLES.



P.C.B LAYOUT
BOTTOM VIEW



CIRCUIT



MATING PLUG 3.50

5	BREAK TERMRINAL(B)	C2680	1	Au PLATED
4	PIN TEMRINAL(D)	C2680	1	Au PLATED
3	SPRING Contac(C)T	C5210	1	Au PLATED
2	COVER	PA10T 94V0	1	BLACK
1	HOUSING	PA10T 94V0	1	BLACK
No.	DESCRIPTION	MATERIAL	QTY.	PLATING

SMART BILLION INDUSTRIAL LIMITED

COPYRIGHT RESERVED,PLEASE DO NOT COPY.

PART NAME		DC POWER JACK		DRAWING	Z.L.Liang	DWG.No.	
PART NO.		DS-260-WP		CHECK	G.C.Chen	REV.	A0
UNIT:	TOLERANCE UNLESS	X.X ± 0.3	ANGLE	APPROVAL	G.C.Chen	DATE	2017/12/05
mm	OTHERWISE SPECIFIED	X.XX ± 0.2	±2'	SCALE	1:1	PAGE	1 OF 1
		X.XXX ± 0.1					