

REV	LTR	DESCRIPTION	DATE	REVISER	APPD

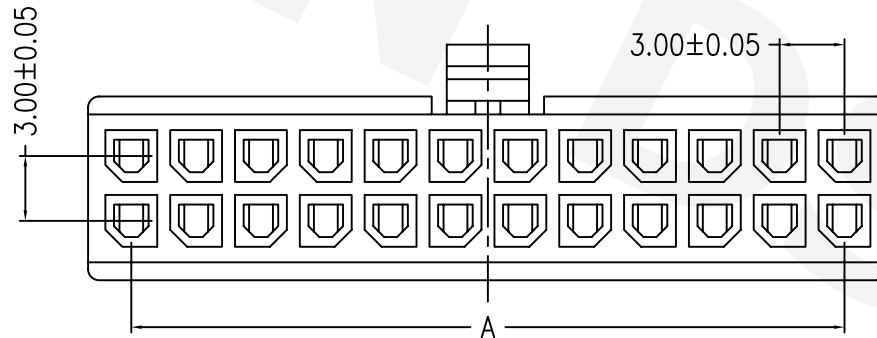
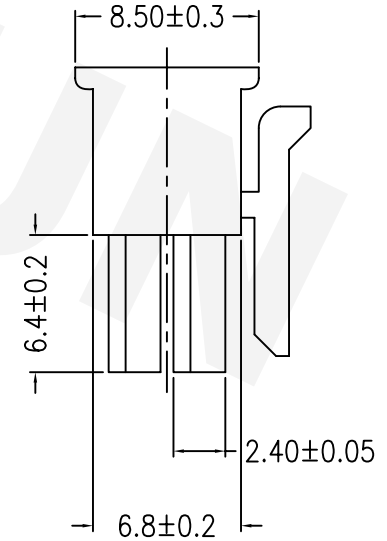
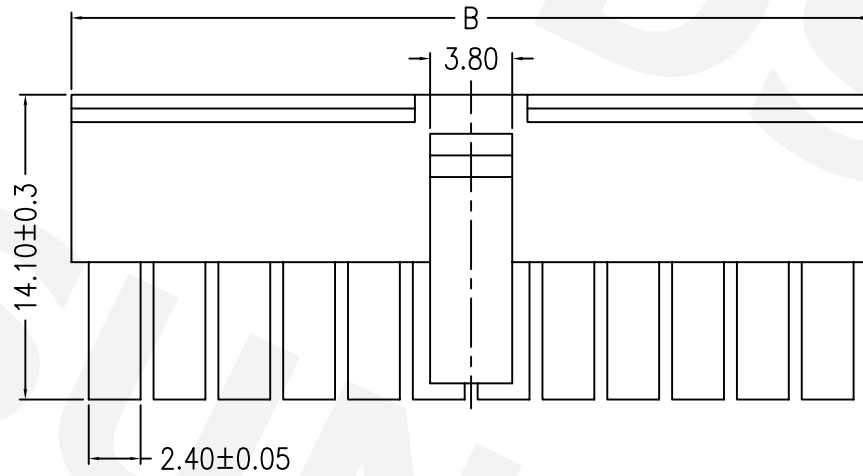
技术参数 SPECIFICATIONS

- ◆ 间距: 3.0 Pitch: 3.0
- ◆ 適用線規: AWG#30~#20  
Applicable Wire: AWG#30~#20
- ◆ 额定电压: AC,DC,250V(有效值)  
Voltage rating: AC,DC,250V(rms)
- ◆ 额定电流: 3.0A  
Current rating: 3.0A
- ◆ 耐压值: 1000V AC/minute  
Withstand voltage: 1000V AC/minute
- ◆ 工作温度: -25°C~+85°C  
Working Temperature: -25°C~+85°C
- ◆ 绝缘电阻: ≥1000 ohM  
Insulation resistance: ≥1000ohM
- ◆ 接触电阻: ≤0.02 oh  
Contact resistance: ≤0.02 oh
- ◆ 适用印制板厚度: 1.6 mm  
Applicable PC board thickness: 1.6 mm

材料 MATERIAL

- ◆ 絕緣座: 尼龍 UL94-0  
Housing: Nylon UL94-0
- ◆ 端子: 磷青銅  
Terminal: Phosphor bronze

Pin	DIMENSION (mm)	
	A	B
2*1	0	4.0
2*2	3.00	7.0
2*3	6.00	10.0
2*4	9.00	13.0
2*5	12.00	16.0
2*6	15.00	19.0
2*7	18.00	22.0
2*8	21.00	25.0
2*9	24.00	28.0
2*10	27.00	31.0
2*11	30.00	34.0
2*12	33.00	37.0



**东莞市鼎尚电子有限公司**  
DONGGUAN DSUN ELECTRONICS CO.,LTD.

UNIT:MM	TYPE: 3.0线接公插连接器		
	MODEL NO: 3001-2*2Y		
PAPER NO: A4	XXX. ±0.40	X. ± 0.20	X.' ± 2'
PAGE 1 OF 1	.XXX ±0.05	.X ± 0.15	.X' ± 1'
DESIGNER BY: KING LI	CHECK BY: XIAOMING HU	APPROVED BY: RONG zhon	