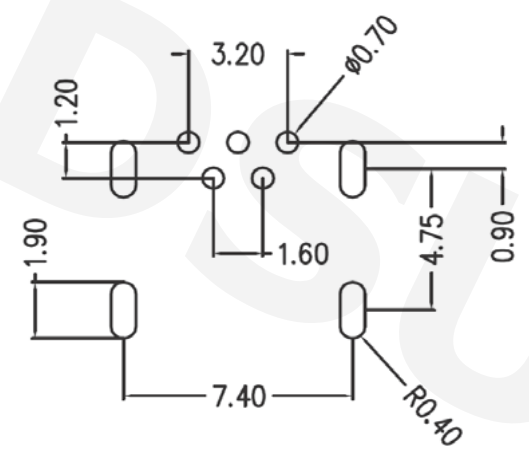
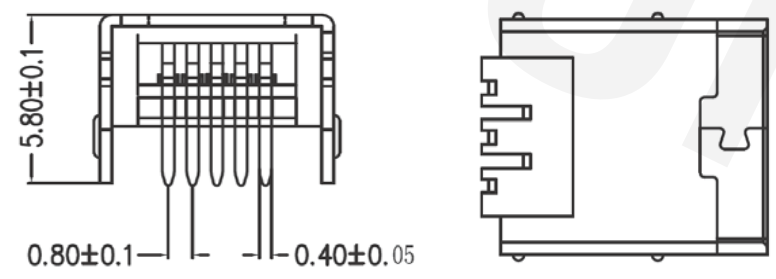
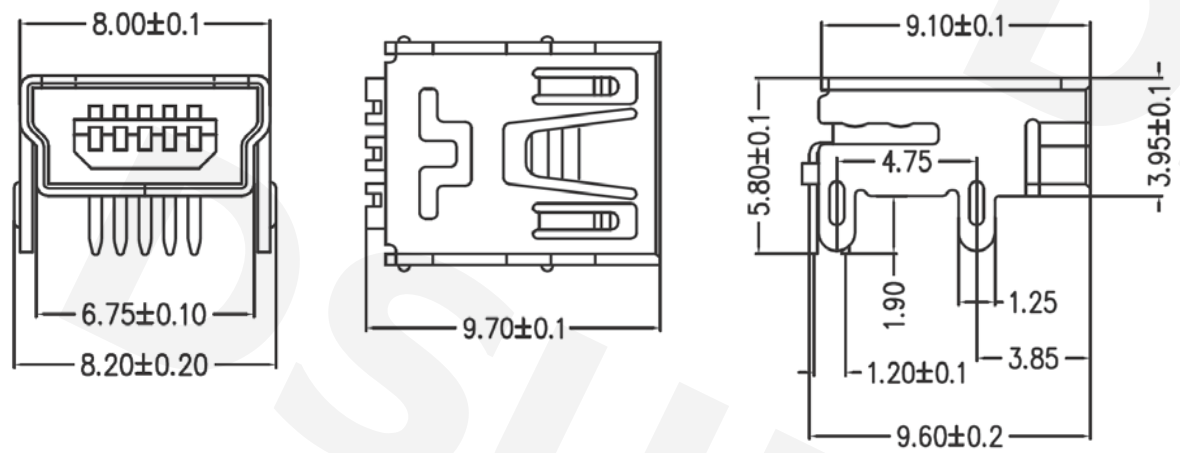


REV	LTR	DESCRIPTION	DATE	REVISER	APPD

特性:Specifications:
 电器:Electrical:
 接触阻抗:Contact Resistance
 30 milliohms MAX
 耐电压:Dielectric Withstanding Voltage:
 500V AC AT Sea Level
 绝缘阻抗:Insulation Resistance:
 100 MEGA ohms MIN

材料:Material:
 塑胶:Housing:Hing Temperature Thermoplastics,
 LCP 耐高温塑胶
 端子>Contact: Copper Alloy 铜合金
 铜壳:Shell: Copper Alloy 铜合金

电镀:Finish:
 端子>Contact: Plated Gold in Mating Area;
 Tin On Solder Talls
 铜壳:Shell:
 Nickel/ Plating 镀镍



PCB LAYOUT

东莞市鼎尚电子有限公司
 DONGGUAN DSUN ELECTRONICS CO.,LTD.

UNIT:MM	TYPE: USB JACK			
	MODEL NO: USB-120B			
PAPER NO: A4	TOLERANCE	ANGLES	SCALE	VER
PAGE 1 OF 1	±0.3	±2°	FULL	03
DESIGNER BY: KING LI	CHECK BY: XIAOMING HU	APPROVED BY: RONG zhon		