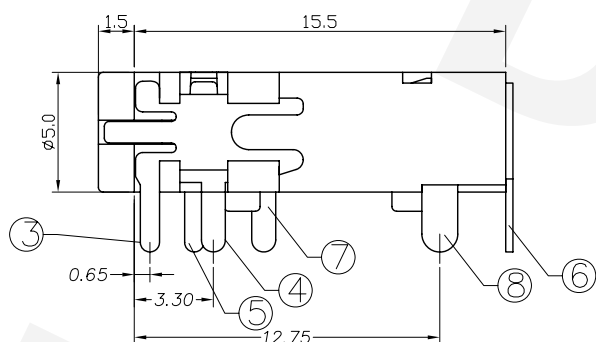
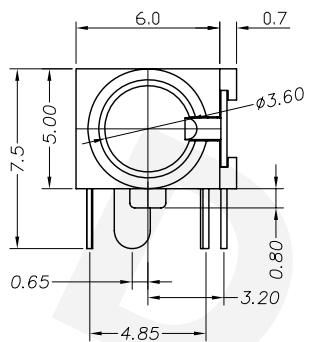
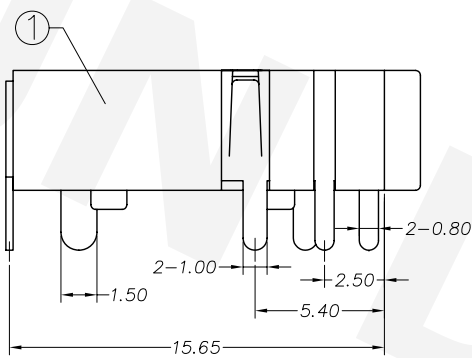
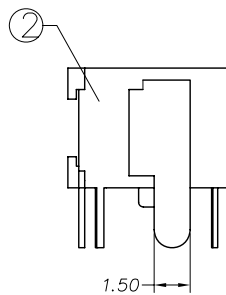
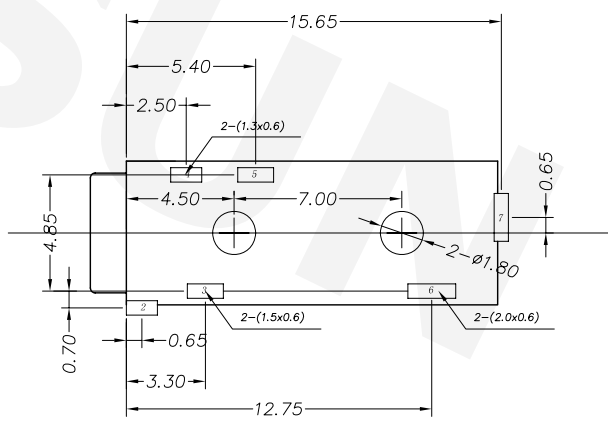


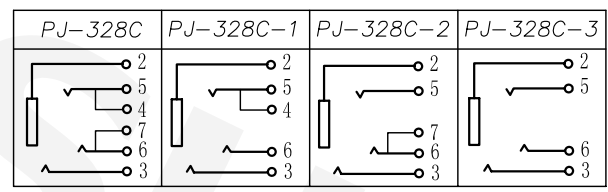
REV	LTR	DESCRIPTION	DATE	REVISER	APPD



P. C. B Layout
(Top view)



Schematic



⑧	Tip spring	1	Phosphor bronze	Ag-Plating
⑦	Tip spring	1	Phosphor bronze	Ag-Plating
⑥	Shunt terminal	1	Phosphor bronze	Ag-Plating
⑤	Shunt terminal	1	Phosphor bronze	Ag-Plating
④	Ring spring	1	Phosphor bronze	Ag-Plating
③	Earth spring	1	Phosphor bronze	Ag-Plating
②	Cover	1	PPA	
①	Housing	1	PPA	
NO.	DESCRIPTION	QTY	MATERIAL	PLATING

东莞市鼎尚电子有限公司
DONGGUAN DSUN ELECTRONICS CO.,LTD.

UNIT:MM	TYPE: ϕ 3.5 PHONE JACK			
	MODEL NO: PJ-328C			
PAPER NO: A4	TOLERANCE	ANGLES	SCALE	VER
PAGE 1 OF 1	\pm 0.3	\pm 2°	FULL	03
DESIGNER BY: KING LI	CHECK BY: XIAOMING HU	APPROVED BY: RONG zhon		