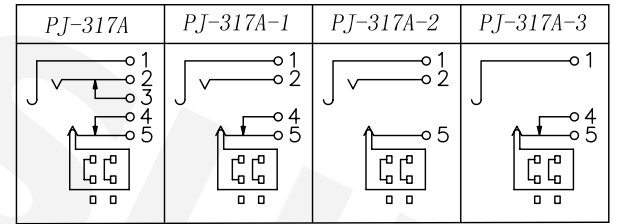
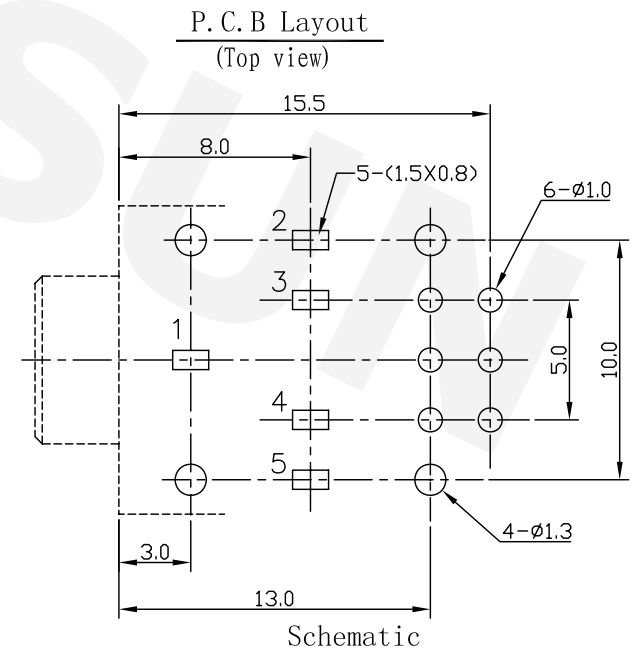
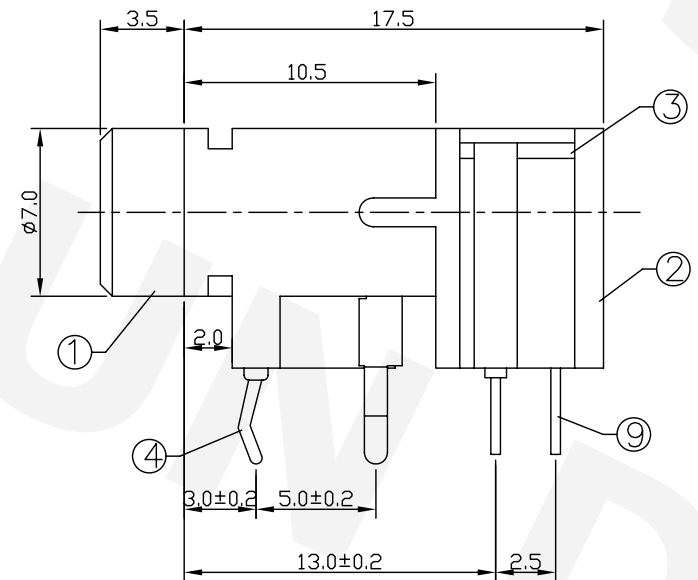
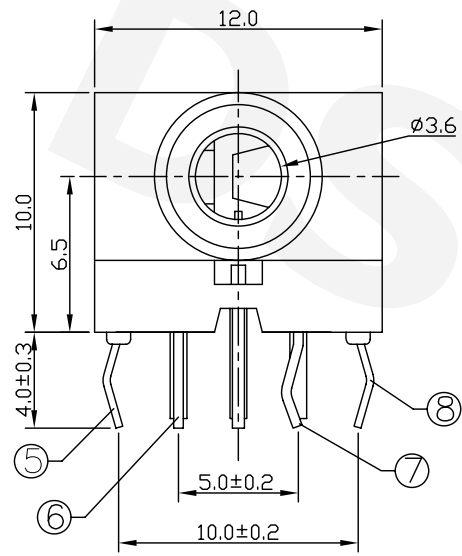


1	2	3	4	5	6	7	8			
					REV	LTR	DESCRIPTION	DATE	REVISER	APPD



⑩	Clip	1	Copper alloy	Ag-Plating
⑨	Slide housing	1	PA66	
⑧	Tip spring	1	Phosphor bronze	Ag-Plating
⑦	Shunt terminal	1	Brass	Ag-Plating
⑥	Shunt terminal	1	Brass	Ag-Plating
⑤	Ring spring	1	Phosphor bronze	Ag-Plating
④	Earth spring	1	Phosphor bronze	Ag-Plating
③	Bakelite	1	PA66	
②	Switch Housing	1	PA66	
①	Housing	1	PBT	
NO.	DESCRIPTION	QTY	MATERIAL	PLATING

东莞市鼎尚电子有限公司
DONGGUAN DSUN ELECTRONICS CO.,LTD.

UNIT:MM	TYPE: φ3.5 PHONE JACK			
	MODEL NO: PJ-317A			
PAPER NO: A4	TOLERANCE	ANGLES	SCALE	VER
PAGE 1 OF 1	±0.3	±2°	FULL	03
DESIGNER BY: KING LI	CHECK BY: XIAOMING HU	APPROVED BY: RONG zhon		

1	2	3	4	5	6	7	8
---	---	---	---	---	---	---	---