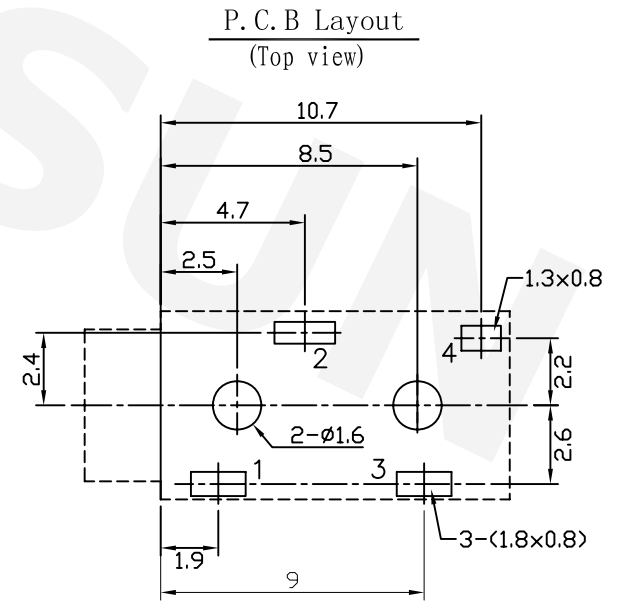
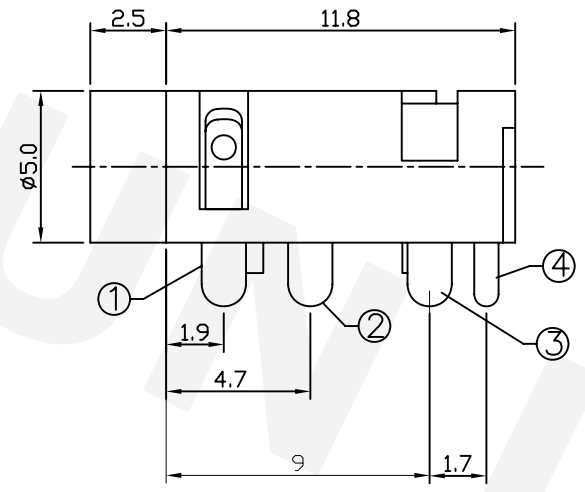
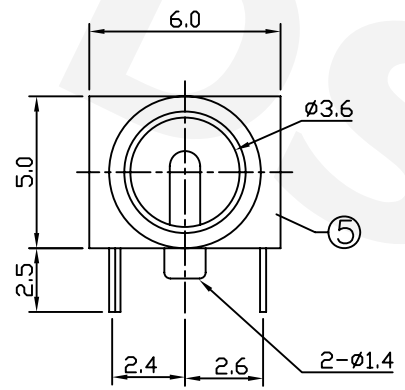
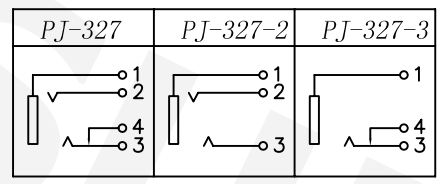


1	2	3	4	5	6	7	8			
					REV	LTR	DESCRIPTION	DATE	REVISER	APPD



Schematic



⑤	Housing	1	PBT	
④	Shunt terminal	1	Brass	Ag-Plating
③	Ring spring	1	Be-CU	Ag-Plating
②	Tip spring	1	Be-CU	Ag-Plating
①	Earth spring	1	Be-CU	Ag-Plating
NO.	DESCRIPTION	QTY	MATERIAL	PLATING

东莞市鼎尚电子有限公司
DONGGUAN DSUN ELECTRONICS CO.,LTD.

UNIT:MM	TYPE: $\phi 3.5$ PHONE JACK			
	MODEL NO: PJ-327			
PAPER NO: A4	TOLERANCE	ANGLES	SCALE	VER
PAGE 1 OF 1	± 0.3	$\pm 2^\circ$	FULL	03
DESIGNER BY: KING LI	CHECK BY: XIAOMING HU	APPROVED BY: RONG zhon		

1	2	3	4	5	6	7	8
---	---	---	---	---	---	---	---