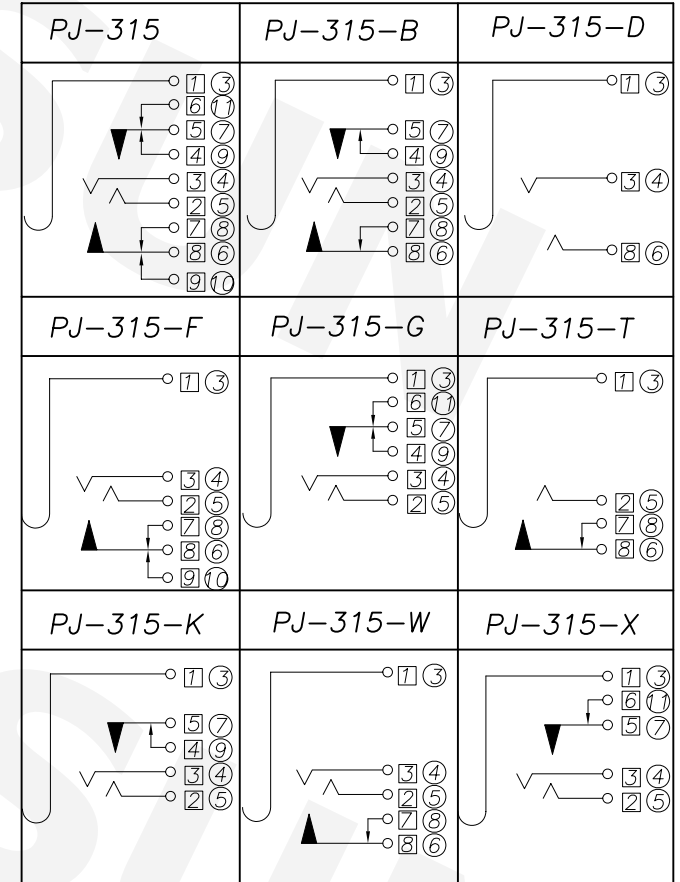
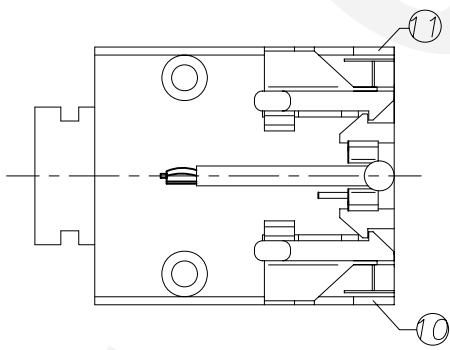
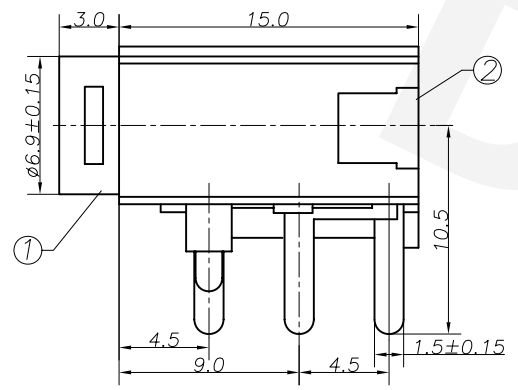
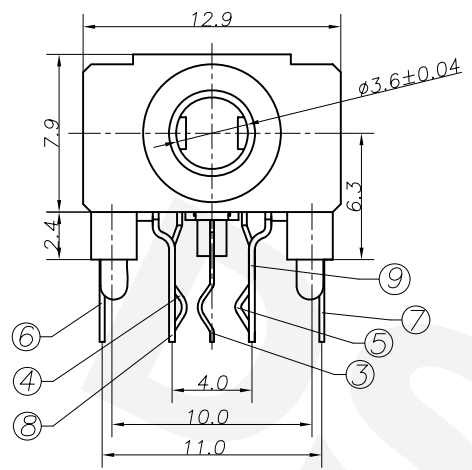
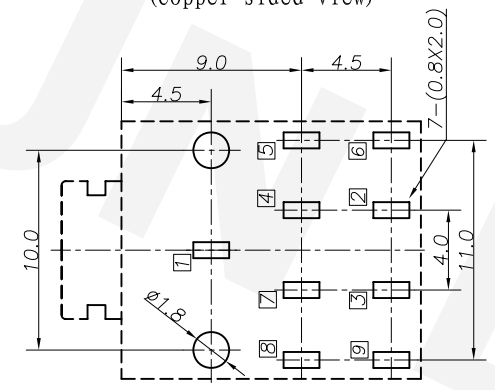


REV	LTR	DESCRIPTION	DATE	REVISER	APPD

Schematic



P. C. B Layout
(Copper-sided view)



⑩	Make terminal	1	Phosphor bronze	Ag-Plating
⑨	Break terminal	1	Phosphor bronze	Ag-Plating
⑧	Break terminal	1	Phosphor bronze	Ag-Plating
⑦	Transfer terminal	1	Brass	Ag-Plating
⑥	Transfer terminal	1	Brass	Ag-Plating
⑤	Tip spring	1	Phosphor bronze	Ag-Plating
④	Ring spring	1	Phosphor bronze	Ag-Plating
③	Earth terminal	1	Phosphor bronze	Ag-Plating
②	Cover	1	POM	
①	Housing	1	PBT	

东莞市鼎尚电子有限公司
DONGGUAN DSUN ELECTRONICS CO.,LTD.

UNIT:MM	TYPE: ϕ 3.5 PHONE JACK			
	MODEL NO: PJ-315			
PAPER NO: A4	TOLERANCE	ANGLES	SCALE	VER
PAGE 1 OF 1	±0.3	±2'	FULL	03
DESIGNER BY: KING LI	CHECK BY: XIAOMING HU	APPROVED BY: RONG zhon		

NO.	DESCRIPTION	QTY	MATERIAL	PLATING
1	2	3	4	5
6	7	8		